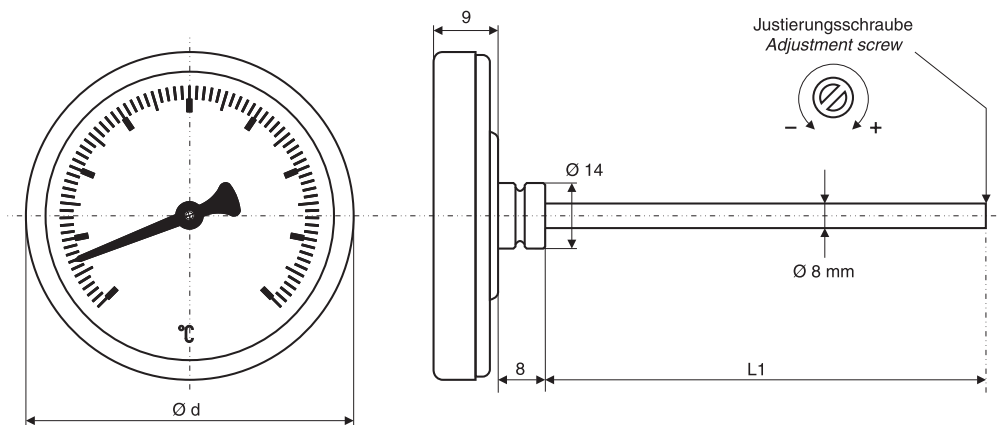
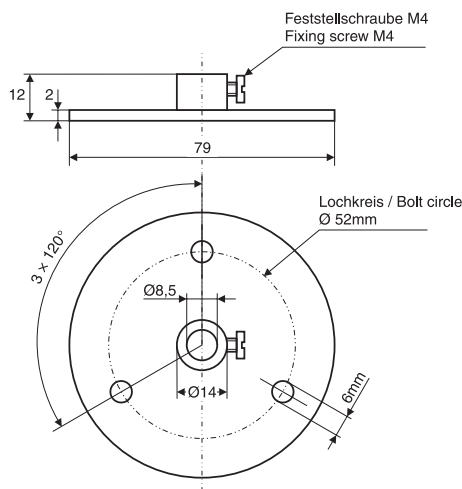


Description:	Low -cost bimetallic - thermometer. Type axial according to DIN EN 13190 Thermometer for air condition applications
Scale range:	See backpage
Accuracy:	Class 1 according to DIN EN 13190
Case:	Case with chrome plated bezel. Diameter: 63, 80, 100 mm Protection class IP 41 acc. to IEC 529
Case material:	Steel plate
Bezel material:	Steel, chrome plated
Scales:	Aluminium scale
Immersion tube:	Ø 8mm; Material: Brass
Connection:	Plain stem for the installation into protection tube
Applications:	Heating systems, air conditions, solar systems



Attention:

The thermometer has an adjustment screw at the end of the immersion tube. You can't use these thermometers in aggressive media.



Case dimensions	
Ordering code	C
NG 63	3
NG 80	4
NG 100	5
NG 160	6

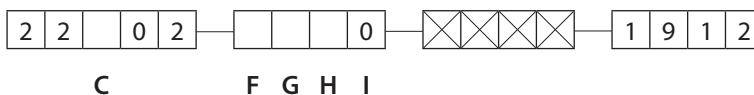
Scale ranges	
Ordering code	F G
- 40 ... + 40 °C	4 9
- 40 ... + 60 °C	5 0
- 30 ... + 50 °C	5 2
- 20 ... + 40 °C	5 3
- 20 ... + 60 °C	5 4
0 ... + 60 °C	5 8
0 ... + 80 °C	5 9
0 ... + 100 °C	6 0
0 ... + 120 °C	6 1
Special range	9 9

Additional equipment	
Ordering code	H I
Without	0 0
Marking pointer	5 0
Maximum pointer	6 0

Ordering-code :

For ordering please fill out all empty digits in the order code on the right.

The code numbers for all free digits you find in the charts above.



for ordering please declare in plain language:

Insertion length (L_i):

- 150 200 300 Other