

Description

Low -cost bimetallic - thermometer
Type axial according to DIN EN 13190
Thermometer for heating - and air condition applications

Scale range

See backpage

Accuracy

Class 1 according to DIN EN 13190

Case

Case with chrome plated bezel
Diameter: 63, 80, 100, 160 mm
Protection class IP 41 acc. to IEC 529

Case material

Steel plate, black powder coated

Bezel material

Steel, chrome plated

Scales

Aluminium scale

Connection

Plain stem of brass, Ø 8mm, for the installation into protection tubes

Applications

Heating systems, air conditions, solar system, industry

Suggestion for installation of thermometer with plain stem

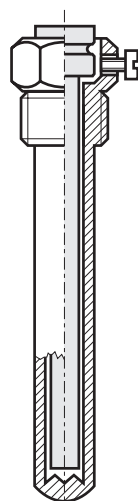
For further installation possibilities see chapter **protection tubes**

Standard protection tube

solid drilled
with lateral attachment
screw

according to datasheet:

15.16

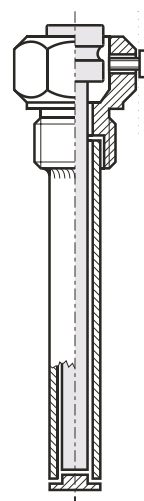


Standard protection tube

fabricated
with lateral attachment
screw

according to datasheet:

16.16 S

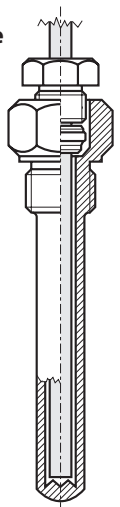


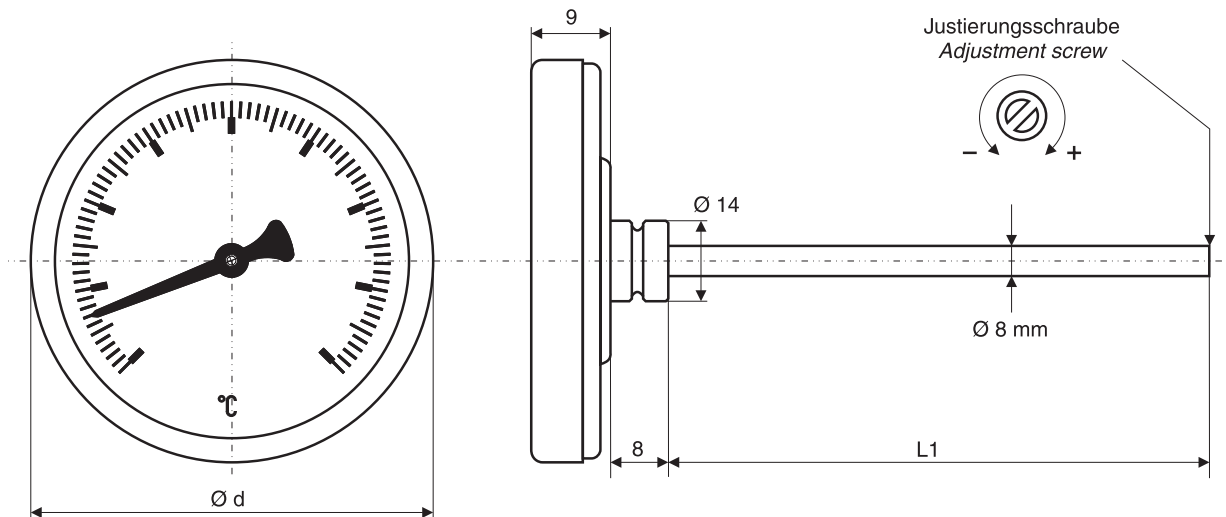
Standard protection tube

solid drilled or fabricated
with integrated
compression fitting

according to datasheet:

15.10 and 16.10





Case dimensions	
Ordering code	C
NG 63	3
NG 80	4
NG 100	5
NG 160	6

Attention:
The thermometer has an adjustment screw at the end of the immersion tube. You can't use these thermometers in aggressive media without protection tube.

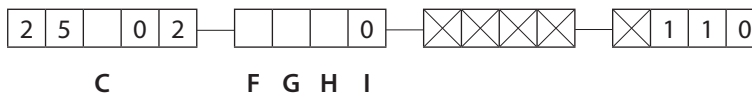
Scale ranges	
Ordering code	F G
- 40 ... + 40 °C	4 9
- 40 ... + 60 °C	5 0
- 30 ... + 50 °C	5 2
- 20 ... + 40 °C	5 3
- 20 ... + 60 °C	5 4
0 ... + 60 °C	5 8
0 ... + 80 °C	5 9
0 ... + 100 °C	6 0
0 ... + 120 °C	6 1
0 ... + 160 °C	6 2
0 ... + 200 °C	6 3
0 ... + 250 °C	6 4
Special range	9 9

Additional equipment	
Ordering code	H I
Without	0 0
Marking pointer	5 0
Maximum pointer	6 0

Ordering-code :

For ordering please fill out all empty digits in the order code on the right.

The code numbers for all free digits you find in the charts above.



For ordering please declare in plain text :

Insertion length (L₁) :

..... mm

Special range (surcharge):

..... °C to °C

Protection tube acc. to datasheet:

.....

For insertion length 45, 60 and 100 mm you can use protection tube acc. to type 15.16

For other length you can use protection tube acc. to type 15.10, 16.10 or 16.16 S