

Description

Precision bimetallic- thermometer with case in bayonet bezel. Execution axial according DIN EN 13190

Accuracy

Class 1 according DIN EN 13190

Temperature range

Scale ranges according to DIN EN 13190 see backpage

(special scale ranges upon request)

Case

Case with bayonet bezel stainless steel 1.4301 / AISI304

Ingress protection IP 65 according to IEC 529

Instrument glass window

Nominal sizes 63, 80, 100, 160 mm

Pointer and dial

Aluminium dial varnished white / black lettering

Aluminium pointer varnished black

Process connection

Fixed external thread

Wetted parts of stainless steel 1.4571 / AISI316Ti

Standard options

- Oil- fillings for damping (250 °C scale range max.)
- Maximum- and marking pointer

Additional options

(upon request)

- Safety glass or polycarbonate window
- Dual scales °C/°F, customer specific scales
- Special materials for wetted parts

Suggestions for installation of thermometers with fixed external thread

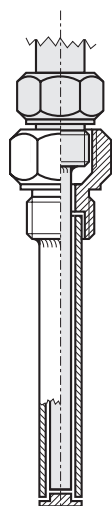
For further installation possibilities see chapter **protection tubes**

Protection tube

screw-in type, fabricated

according to datasheet :

12.1
12.0

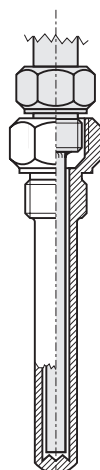


Protection tube

screw-in type, solid drilled

according to datasheet :

12.1
12.0

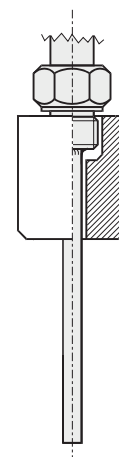


Thread, joint

weld-in type

according to datasheet :

18.11

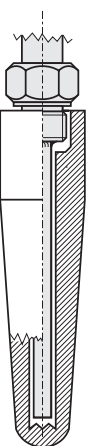


Protection tube

weld-in type, solid drilled

according to datasheet :

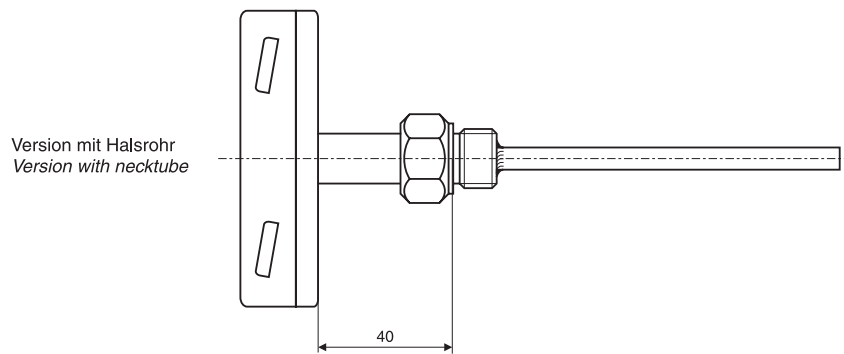
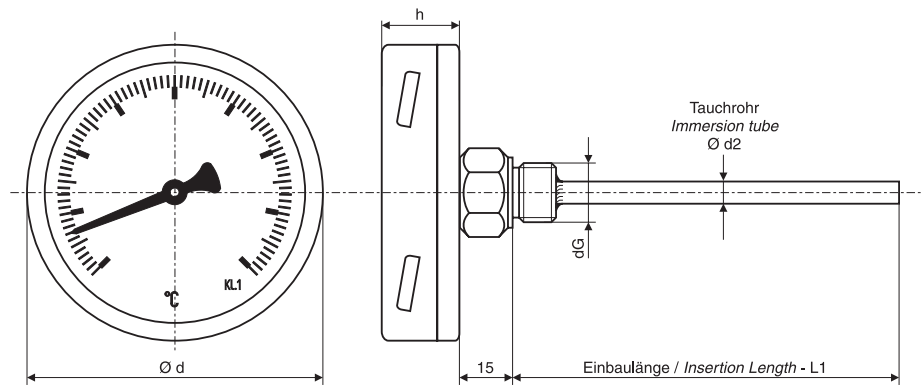
11.1



Case dimensions	
Ordering code	C
NG 63	3
NG 80	4
NG 100	5
NG 160	6

Type	
Ordering code	D
Without necktube	0
With necktube	2

Scale ranges	
Ordering code	F G
- 40 ... + 40 °C	4 9
- 40 ... + 60 °C	5 0
- 30 ... + 50 °C	5 2
- 20 ... + 40 °C	5 3
- 20 ... + 60 °C	5 4
0 ... + 60 °C	5 8
0 ... + 80 °C	5 9
0 ... + 100 °C	6 0
0 ... + 120 °C	6 1
0 ... + 160 °C	6 2
0 ... + 200 °C	6 3
0 ... + 250 °C	6 4
0 ... + 300 °C	6 5
0 ... + 350 °C	6 6
0 ... + 400 °C	6 7
0 ... + 500 °C	6 8
Special range	9 9



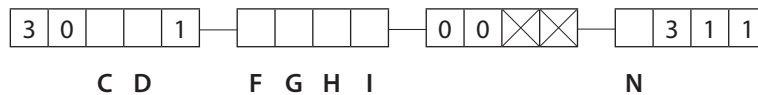
Additional equipment	
Ordering code	H I
Without	0 0
Slow-acting contact	1 2
Contact magnetic system	2 2
Intrinsically safe contact	3 2
Electronic contact	4 2
Marking pointer	5 0
Maximum pointer	6 0
Siliconeoil filled	7 0
Glycerinoil filled	8 0

Thread		
Ordering code		N
G 1/2"	27 mm flats	1
G 3/4"	32 mm flats	2
G 1"	41 mm flats	3
NPT 1/2"	27 mm flats	4
NPT 3/4"	32 mm flats	5
M 18 x 1,5	24 mm flats	6
M 20 x 1,5	27 mm flats	7
M 24 x 1,5	32 mm flats	8
Special thread		9

Ordering-code :

For ordering please fill out all empty digits in the order code on the right.

The code numbers for all free digits you find in the charts above.



For ordering please declare in plain text :

Ø Stem (d₂) : Insertion length (L₁): Special - range (upon request): Protectiontube acc. to datasheet:

6mm 8mm mm °C to °C

10mm