

Description

Precision bimetallic- thermometer with rim - ring case. Execution axial according DIN EN 13190

Accuracy

Class 1 according DIN EN 13190

Scale range

according to DIN EN 13190 - see backpage
(special scale ranges upon request)

Case

Case with rim - ring stainless steel 1.4301 / AISI304
Ingress protection IP 65 according to IEC 529
Instrument glass window
Nominal sizes 63, 80, 100, 125 mm

Pointer and dial

Aluminium dial varnished white / black lettering
Aluminium pointer varnished black

Process connection

Plain stem
Wetted parts of stainless steel 1.4571 / AISI316Ti

Standard options

- Oil- fillings for damping (250 °C scale range max.)
- Maximum- and marking pointer

Additional options (upon request)

- Safety glass or polycarbonate window
- Dual scales °C/°F, customer specific scales
- Special materials for wetted parts

Suggestions for installation of thermometers with plain stem

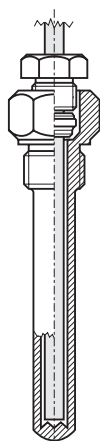
For further installation possibilities see chapter **protection tubes**

Protection tube

With integrated compression fitting

according to datasheet :

15.10
16.10

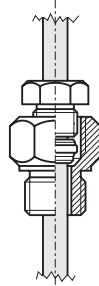


Compression fitting

Screw in type

according to datasheet :

18.10

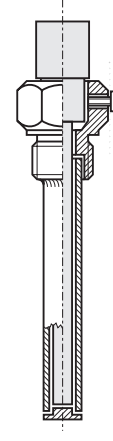


Protection tube

With lateral attachment screw

according to datasheet :

16.16

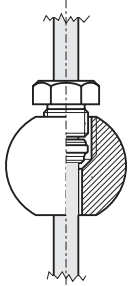


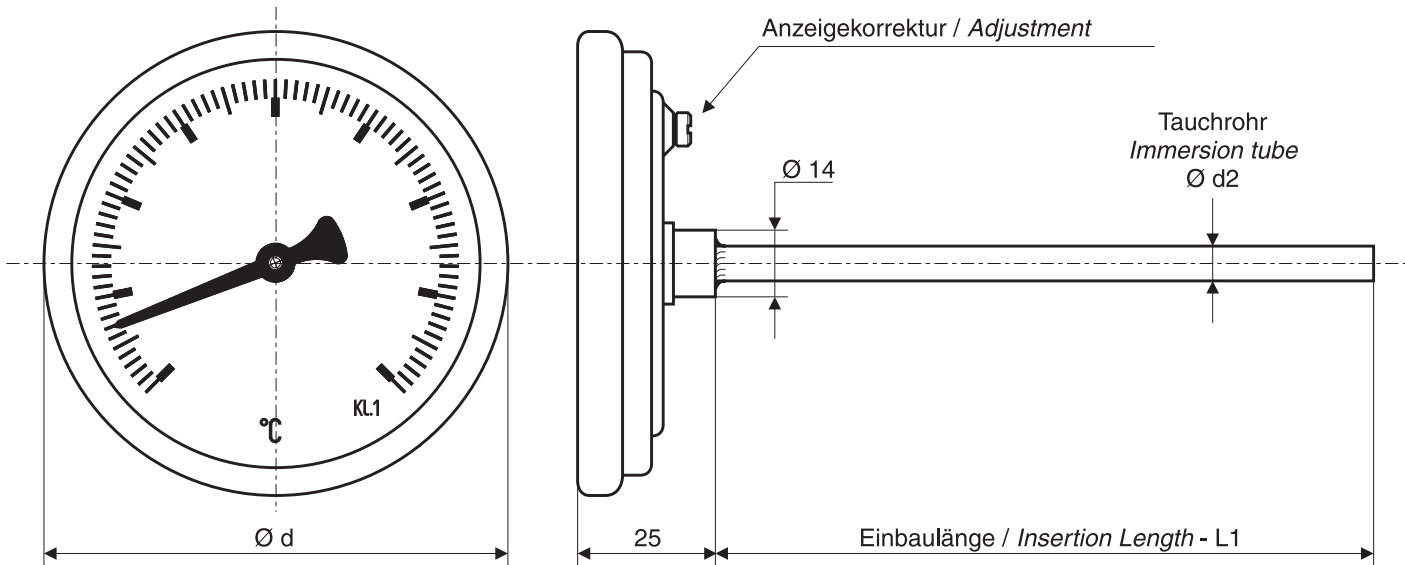
Compression fitting

Weld - in type for flexible position

according to datasheet :

18.10





Case dimensions	
Ordering code	C
NG 63	3
NG 80	4
NG 100	5
NG 125	7

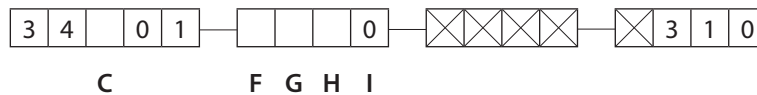
Scale ranges	
Ordering code	F G
- 40 ... + 40 °C	4 9
- 40 ... + 60 °C	5 0
- 30 ... + 50 °C	5 2
- 20 ... + 40 °C	5 3
- 20 ... + 60 °C	5 4
0 ... + 60 °C	5 8
0 ... + 80 °C	5 9
0 ... + 100 °C	6 0
0 ... + 120 °C	6 1
0 ... + 160 °C	6 2
0 ... + 200 °C	6 3
0 ... + 250 °C	6 4
0 ... + 300 °C	6 5
0 ... + 350 °C	6 6
0 ... + 400 °C	6 7
0 ... + 500 °C	6 8
Special range	9 9

Additional equipment	
Ordering code	H I
Without	0 0
Marking pointer	5 0
Maximum pointer	6 0
Siliconeoil filled	7 0
Glycerinoil filled	8 0

Ordering-code :

For ordering please fill out all empty digits in the order code on the right.

The code numbers for all free digits you find in the charts above.



For ordering please declare in plain text :

Ø Stem (d ₂) :	Insertion length (L ₁):	Special - range (upon request):	Protectiontube acc. to datasheet:
<input type="checkbox"/> 6mm <input type="checkbox"/> 8mm <input type="checkbox"/> 10mm mm°C to °C