

Description :

Local, solar- powered digital indicator in a stainless steel case with rim- ring. The instrument is supplied by solar- cells integrated in the instruments window. Optionally the instrument does include gold - cap capacitors, so that it is able to work for 16 hours without light.

Sensor :

Pt1000 DIN IEC 751 Cl. B

Temperature range :

- 100 ... + 500 °C

Ambient temperature range :

-20 ... 60 °C

Intensity of illumination:

The instrument works reliable with sunlight in all seasons. The operation with artificial light is also possible - the minimum illumination is below all required intensities for the very most industrial trades. In case of doubt the local intensity of illumination should be verified.

Illumination without buffering:

Minimum intensity: 50 lx

Illumination with buffering: *

Minimum intensity 100 lx • Optimal intensity 250 lx

* Instruments with buffer capacitors need a higher intensity of illumination because a part of the current has to be branched off for energy accumulation. If the energy reservoir is exhausted and the instrument is illuminated (with a low intensity) again, it can take a few minutes until the display returns.

Measurement ranges :

See backside

Display :

4- digit LCD - display • Digit- height 18 mm

Accuracy:

Display : 0,3 % ± 1 dgt. ± Sensor tolerance • Tolerance Pt1000 Cl. B bei 100 °C : 0,80 °C

The tolerances for Pt 100 RTD's you can see in the chart "Values and Tolerances of Pt100 resistance thermometers" in the appendix.

Housing :

Case with rim- ring • Ø Nominal size 100 mm

Different executions available: Front- flange, back- flange and with wall bracket - see backpage

Protection class IP 68 acc. to DIN 40500 (waterproof)

Case- material : stainless steel 1.4301

Processconnection :

Plain stem with optional compression fitting • Material stainless steel 1.4571

Typical application :

Industry, petro-, chemical plants, commercial vehicles.



Solar Indicator Type „Sunny“

Executions with remote sensors

Datasheet 835

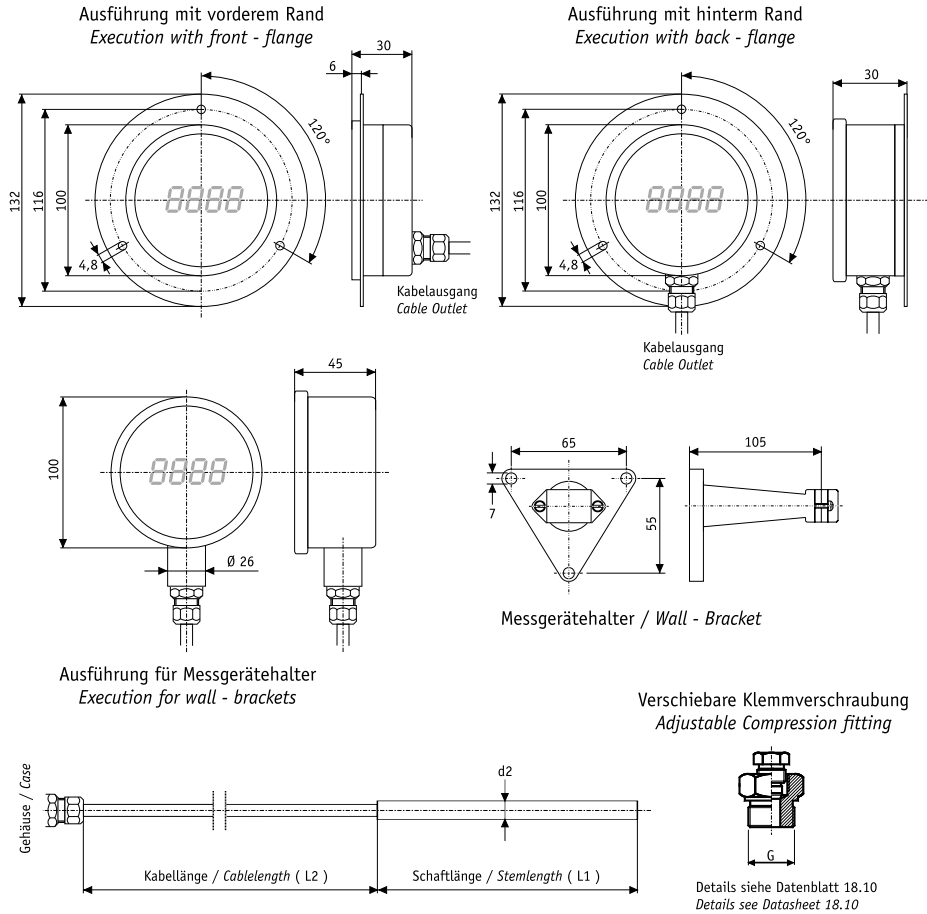
In- Process Digital - Indicators

Case - Execution	
Ordering - code	D E
Back - flange	1 3
Front - flange	1 4
With wall bracket	1 5

Measuring range / Resolution			
Ordering - code		F G	
- 100 ... + 100 °C	0,2	4 8	
- 50 ... + 50 °C	0,1	4 9	
0 ... + 60 °C	0,1	5 8	
0 ... + 80 °C	0,1	5 9	
0 ... + 100 °C	0,1	6 0	
0 ... + 120 °C	0,2	6 1	
0 ... + 160 °C	0,2	6 2	
0 ... + 200 °C	0,2	6 3	
0 ... + 300 °C	0,5	6 5	
0 ... + 400 °C	0,5	6 7	
0 ... + 500 °C	1	6 8	
0 ... + 600 °C	1	6 9	
Special - range		9 9	

Please declare special ranges in plain language - see bottom

Compression - fitting	
Ordering - code	N
Without	0
Compression - fitting G ½"	1
Compression - fitting G ¼"	2
Compression - fitting G 1"	3
Compression - fitting M 20 x 1,5	7
Special - fitting	9



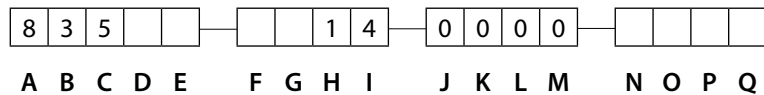
Capacitor buffering	
Ordering - code	O
without buffer	6
with buffer	7

Cable - type	
Ordering - code	P Q
Silicone cable	3 1
Fibre glass cable	3 2
Halogen - free cable	3 3

Ordering-code :

for ordering please fill out all empty digits in the order code on the right.

The code numbers for all free digits you find in the charts above.



For ordering please declare in plain text :

Ø Stem (d₂) :

6mm 8mm 10mm 12 mm

Insertion length (L₁):

..... mm

Special - range:

..... bis °C