

## Description

Precision gasexpansion- thermometer, case with bayonet bezel. Axial execution according DIN EN 13190

## Accuracy

Class 1 according DIN EN 13190

## Temperature range

Scale ranges according to DIN EN 13190 see backpage  
(special scale ranges upon request)

## Case

Case with bayonet bezel stainless steel 1.4301 / AISI304  
Ingress protection IP 65 according to IEC 529  
Instrument glass window  
Nominal sizes 63, 80, 100, 160 mm

## Pointer and dial

Aluminium dial varnished white / black lettering  
Aluminium pointer varnished black

## Process connection

Plain stem  
Wetted parts of stainless steel 1.4571 / AISI316Ti

## Standard options

- Alarm contacts (NG100 and NG160 case only)
- Oil- fillings for damping
- Maximum- and marking pointer

## Additional options (upon request)

- Safety glass or polycarbonate window for food industry
- Adjustable Pointer
- Dual scales °C/°F, customer specific scales
- Special materials for wetted parts

## Suggestions for installation of thermometers with plain stem

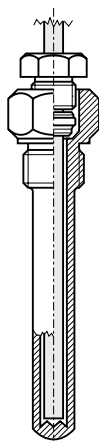
For further installation possibilities see chapter **protection tubes**

### Protection tube

with integrated  
compression  
fitting

according to  
datasheet :

15.10  
16.10

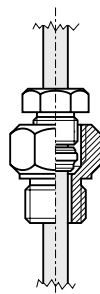


### Compression fitting

screw-in  
type

according to  
datasheet :

18.10

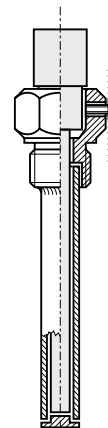


### Protection tube

with lateral  
attachment  
screw

according to  
datasheet :

16.16

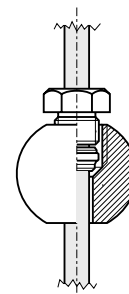


### Compression fitting

weld-in type  
for flexible  
position

according to  
datasheet :

18.10

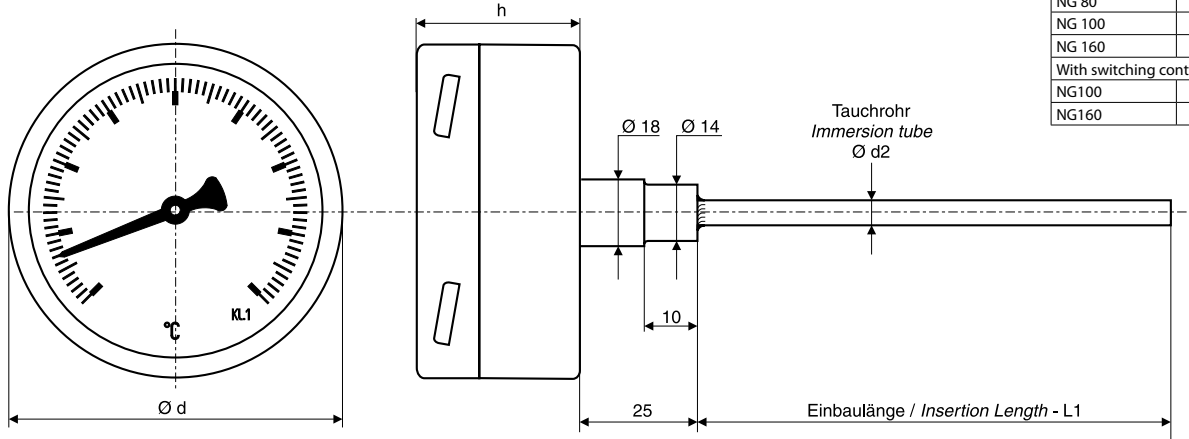


# Gasexpansion- thermometer

Case with bayonet bezel, with plain stem

# Datasheet 40.10

Gasexpansion- thermometers



Nominal Size	$\varnothing d$	h
NG 63	63	45
NG 80	80	45
NG 100	100	50
NG 160	160	50
With switching contact		
NG100	100	85
NG160	160	100

Case dimension	
Ordering code	C
NG 63	3
NG 80	4
NG 100	5
NG 160	6

Scale ranges	
Ordering code	F G
- 40 ... + 40 °C	4 9
- 40 ... + 60 °C	5 0
- 30 ... + 50 °C	5 2
- 20 ... + 40 °C	5 3
- 20 ... + 60 °C	5 4
0 ... + 60 °C	5 8
0 ... + 80 °C	5 9
0 ... + 100 °C	6 0
0 ... + 120 °C	6 1
0 ... + 160 °C	6 2
0 ... + 200 °C	6 3
0 ... + 250 °C	6 4
0 ... + 300 °C	6 5
0 ... + 350 °C	6 6
0 ... + 400 °C	6 7
0 ... + 500 °C	6 8
0 ... + 600 °C	6 9
Special range	9 9

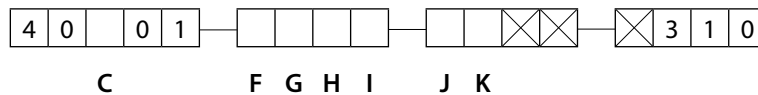
Additional equipment	
Ordering code	H I
Without	0 0
Slow-acting contact	1 2
Contact magnetic system	2 2
Intrinsically safe contact	3 2
Electronic contact	4 2
Marking pointer	5 0
Maximum pointer	6 0
Siliconeoil filled	7 0
Glycerinoil filled	8 0

Alarm contacts		
Ordering code	J K	
No contact	0 0	
single contact	Closing contact	X 1
	Opening contact	X 2
	Change over contact	X 3
double contact	2 x Closing contact	1 1
	2 x Opening contact	2 2
	1. Closing/ 2. Opening	1 2
	1. Opening/ 2. Closing	2 1

## Ordering-code :

For ordering please fill out all empty digits in the order code on the right.

The code numbers for all free digits you find in the charts above.



## For ordering please declare in plain text :

$\varnothing$  Stem ( $d_2$ ) :  6mm  8mm  10mm  12 mm      Insertion length ( $L_1$ ): ..... mm      Special - range (upon request): .....°C to ..... °C      Protectiontube acc. to datasheet: .....