

Description

Precision gasexpansion- thermometer, case with bayonet bezel.
Vertical execution according DIN EN 13190

Accuracy

Class 1 according DIN EN 13190

Temperature range

Scale ranges according to DIN EN 13190 see backpage
(special scale ranges upon request)

Case

Case with bayonet bezel stainless steel 1.4301 / AISI304
Ingress protection IP 65 according to IEC 529
Instrument glass window
Nominal sizes 63, 80, 100, 160 mm

Pointer and dial

Aluminium dial varnished white / black lettering
Aluminium pointer varnished black

Process connection

Revolving external thread
Wetted parts of stainless steel 1.4571 / AISI316Ti

Standard options

- Alarm contacts (NG100 and NG160 case only)
- Oil- fillings for damping
- Maximum- and marking pointer

Additional options (upon request)

- Safety glass or polycarbonate window for food industry
- Adjustable Pointer
- Dual scales °C/°F, customer specific scales
- Special materials for wetted parts



Suggestions for installation of thermometers with revolving external thread

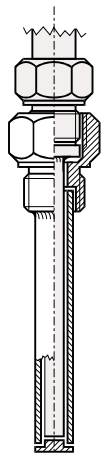
For further installation possibilities see chapter **protection tubes**

Protection tube

screw-in type,
fabricated

according to
datasheet :

12.1

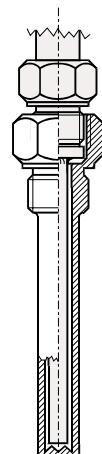


Protection tube

screw-in type,
solid drilled

according to
datasheet :

12.1

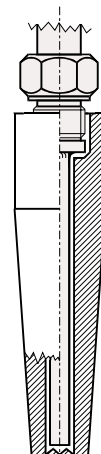


Protection tube

weld-in type,
solid drilled

according to
datasheet :

11.1



Gasexpansion- thermometer

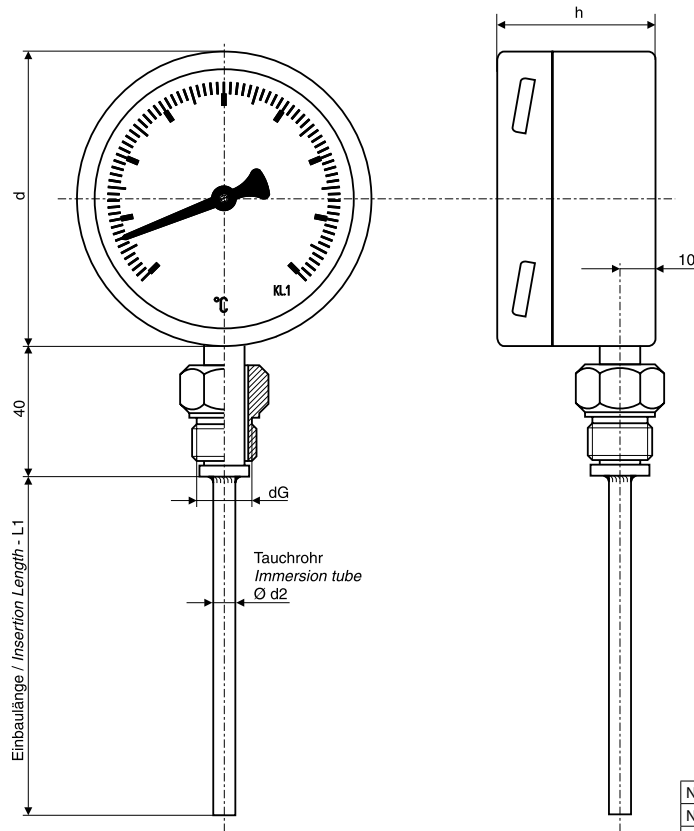
Case with bayonet bezel, with revolving external thread

Datasheet 41.12

Gasexpansion- thermometers

Case dimensions	
Ordering code	C
NG 63	3
NG 80	4
NG 100	5
NG 160	6

Scale ranges	
Ordering code	F G
- 40 ... + 40 °C	49
- 40 ... + 60 °C	50
- 30 ... + 50 °C	52
- 20 ... + 40 °C	53
- 20 ... + 60 °C	54
0 ... + 60 °C	58
0 ... + 80 °C	59
0 ... + 100 °C	60
0 ... + 120 °C	61
0 ... + 160 °C	62
0 ... + 200 °C	63
0 ... + 250 °C	64
0 ... + 300 °C	65
0 ... + 350 °C	66
0 ... + 400 °C	67
0 ... + 500 °C	68
0 ... + 600 °C	69
Special range	99



Nominal Size	Ø d	h
NG 63	63	45
NG 80	80	45
NG 100	100	50
NG 160	160	50
With switching contact		
NG100	100	85
NG160	160	100

Additional equipment	
Ordering code	H I
Without	00
Slow-acting contact	12
Contact magnetic system	22
Intrinsically safe contact	32
Electronic contact	42
Marking pointer	50
Maximum pointer	60
Siliconeoil filled	70
Glycerinoil filled	80

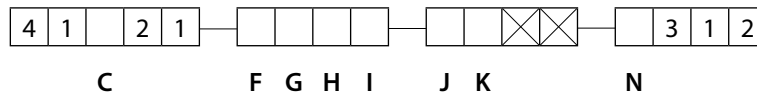
Alarm contacts		
Ordering code	J K	
No contact	00	
single contact	Closing contact	X1
	Opening contact	X2
	Change over contact	X3
double contact	2 × Closing contact	11
	2 × Opening contact	22
	1. Closing/ 2. Opening	12
	1. Opening/ 2. Closing	21

Thread		
Ordering code	N	
G 1/2"	27 mm flats	1
G 3/4"	32 mm flats	2
G 1"	41 mm flats	3
M 18 × 1,5	24 mm flats	6
M 20 × 1,5	27 mm flats	7
M 24 × 1,5	32 mm flats	8
Special thread		9

Ordering-code :

For ordering please fill out all empty digits in the order code on the right.

The code numbers for all free digits you find in the charts above.



For ordering please declare in plain text :

Ø Stem (d₂): Insertion length (L₁): Special - range (upon request): Protectiontube acc. to datasheet:

6mm 8mm mm °C to °C

10mm 12 mm