

# Exhaust- Gas Thermometer

Case with flange bezel, with compression fitting

# Datasheet 44

Industry - Thermometers

**Description :** Gasexpansion\* - thermometer  
Heavy duty execution for diesel motors  
axial or vertical type  
according to DIN 16 205

Vertical Type

**Accuracy :** Class 1 according to DIN 16 203

**Range :** + 50 °C ... + 650 °C

**Case :** Case with flange bezel

Diameter 132 mm

Protection class IP 65 acc. to DIN 40 500

Material : Steel, powder-coated, black

**Vibration-damping :** Siliconeoil filling

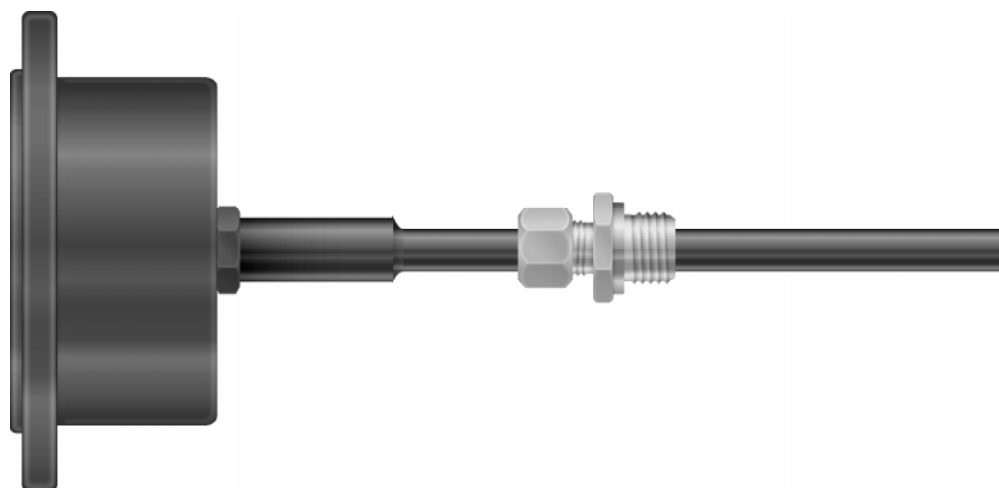
**Process-connection :** Adjustable compression fitting  
  
Material compression fitting : steel  
Material immersion tube : stainless steel 1.4571

**Typical Applications :** Exhaust- gas temperature measurement  
for diesel motors

*\* Also available with mercury filled measuring system*



Axial Type

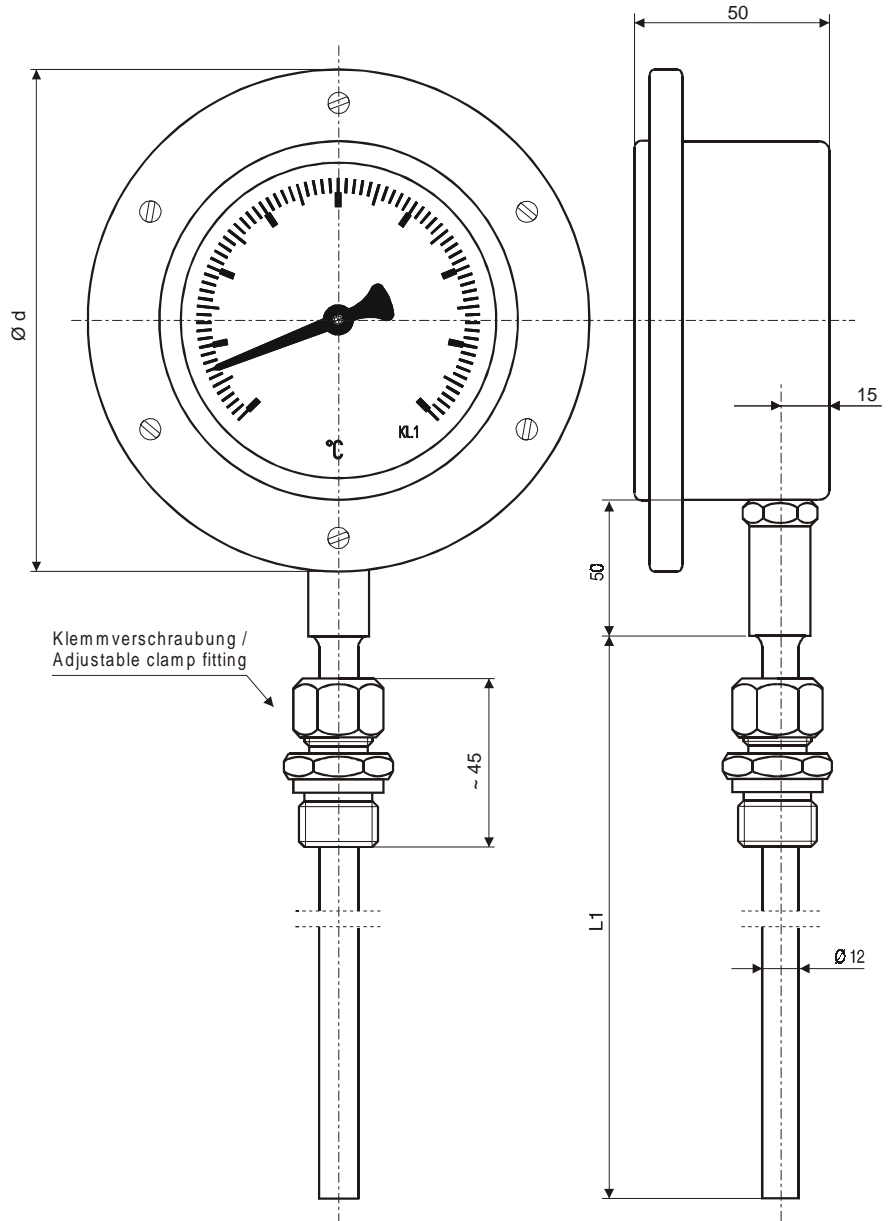


Type	
<b>Ordering-code</b>	<b>D</b>
vertical .....	1
axial .....	2

Threads	
<b>Ordering-code</b>	<b>N</b>
G 1/2" .....	1
G 3/4" .....	2
Others (upon request) .....	3

Threads	Dim.			
	SW1	SW2	L	i
G 1/2"	22	27	46	14
G 3/4"	22	32	48	16

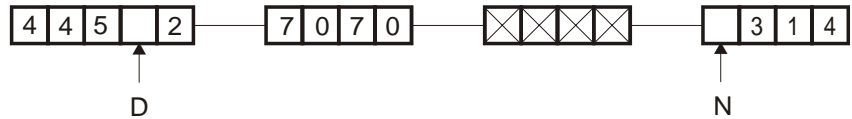
**Standard- Longitudes L1 :**  
 160 mm  
 200 mm  
 250 mm  
 300 mm



**Ordering-code :**

For ordering please fill out all empty digits in the order code on the right.

The code numbers for all free digits you find in the charts above.



**For ordering please declare in plain language:**

Length L1 :  
 ..... mm

Other threads (upon request) :  
 .....

Special ranges (upon request) :  
 ..... up to ..... °C

Others : .....