

## Description

Precision gasexpansion- thermometer, case with rim-ring.  
Heavy duty execution for diesel motors.  
Vertical or axial type according DIN EN 13190

## Accuracy

Class 1 according DIN EN 13190

## Scale range

+50 ... 650 °C

(special scale ranges upon request)

## Case

Case with rim - ring stainless steel 1.4301 / AISI304  
Ingress protection IP 65 according to IEC 529  
Safety glass  
Nominal sizes 80, 100 mm

## Pointer and dial

Aluminium dial varnished white / black lettering  
Aluminium pointer varnished black

## Process connection

Compression fitting of steel  
Wetted parts of stainless steel 1.4571 / AISI316Ti

## Case filling

- Siliconoil for damping

## Additional options

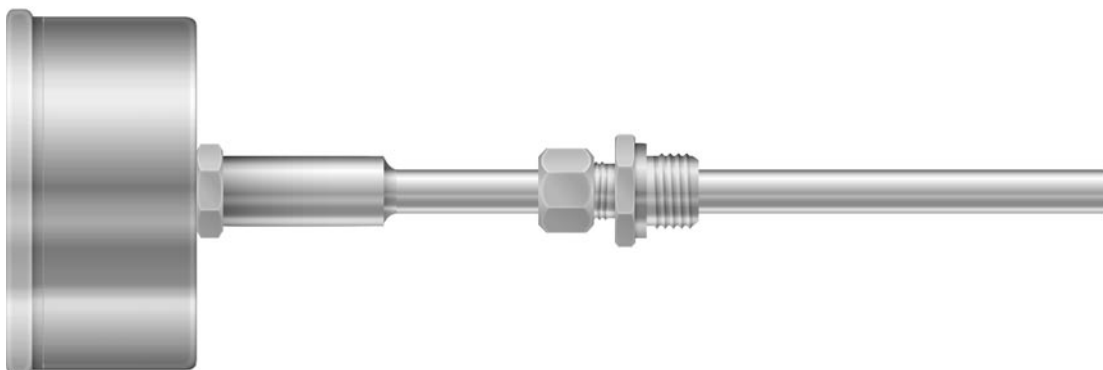
### (upon request)

- Dual scales °C/°F, customer specific scales
- Special materials for wetted parts
- Compression fitting of stainless steel

## Vertical type :



## Axial type :



Case dimensions	
<b>Ordering code</b>	<b>C</b>
NG 80	4
NG 100	5

Type	
<b>Ordering code</b>	<b>C</b>
vertical	1
axial	2

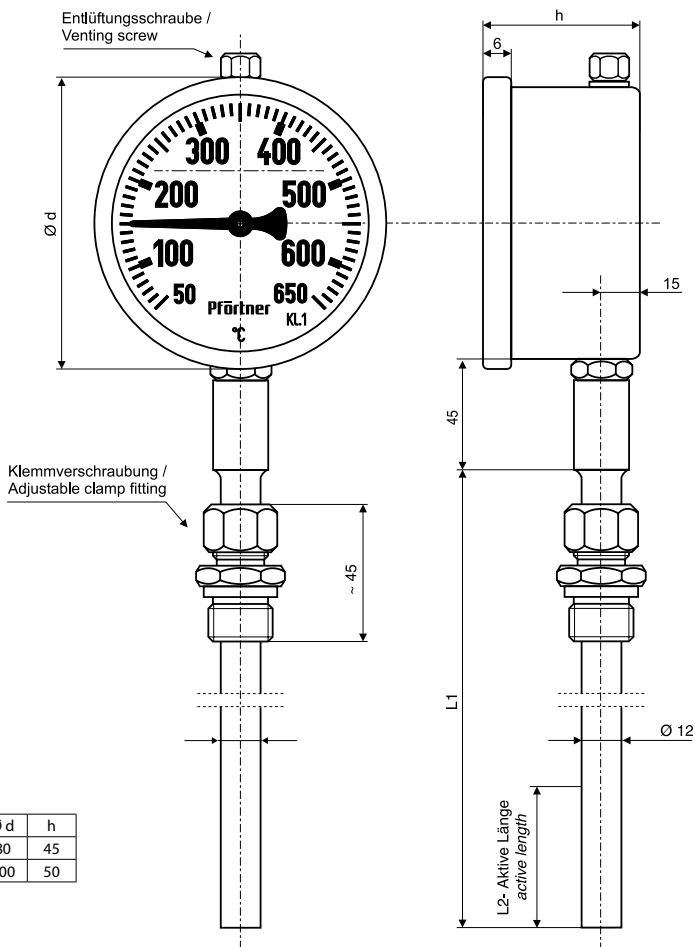
Thread		
<b>Ordering code</b>	<b>N</b>	
G 1/2"	27 mm flats	1
G 3/4"	32 mm flats	2

**Standard insertion length L1:**

- 160 mm
- 200 mm
- 250 mm
- 300 mm

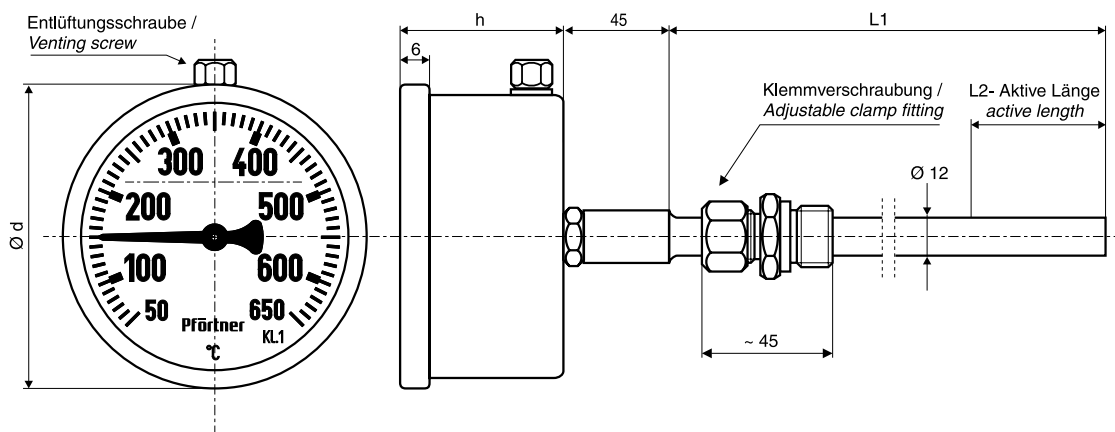
Dim.	SW1	SW2	L	i
G 1/2"	22	27	46	14
G 3/4"	22	32	48	16

**vertical type :**



Nominal Size	Ø d	h
NG 80	80	45
NG 100	100	50

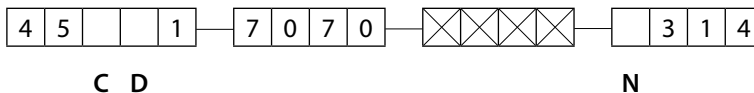
**Axial type :**



**Ordering-code :**

for ordering please fill out all empty digits in the order code on the right.

The code numbers for all free digits you find in the charts above.



**For ordering please declare in plain text :**

Insertion length (L<sub>1</sub>):

Special - range (upon request):

Protectiontube acc. to datasheet:

..... mm

.....°C to ..... °C

.....