

## Description

Precision gasexpansion- thermometer with bayonet bezel.  
Execution with back flange acc. to DIN EN 13190

## Accuracy

Class 1 according DIN EN 13190

## Temperature range

Scale ranges according to DIN EN 13190 see backpage  
(special ranges upon request)

## Case

Case with bayonett - bezel stainless steel 1.4301 / AISI304  
Ingress protection IP 65 according to IEC 529  
Instrument glass window  
Nominal sizes 63, 80, 100, 160 mm

## Capillary

Stainless steel 1.4571 / AISI316Ti  
Stainless steel with plastic coat  
Stainless steel with spiral protecting hose

## Pointer and dial

Aluminium dial varnished white / black lettering  
Aluiminium pointer varnished black

## Process connection

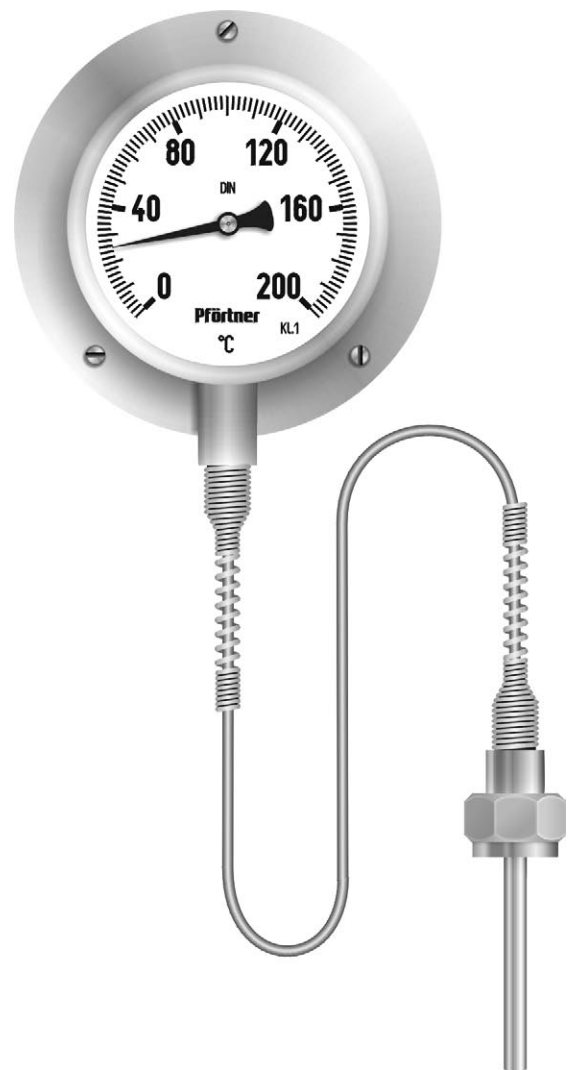
Revolving female nut  
Wetted parts of stainless steel 1.4571 / AISI316Ti

## Standard options

- Alarm contacts (NG100 and NG160 case only)
- Oil- fillings for damping
- Maximuim- and marking pointer

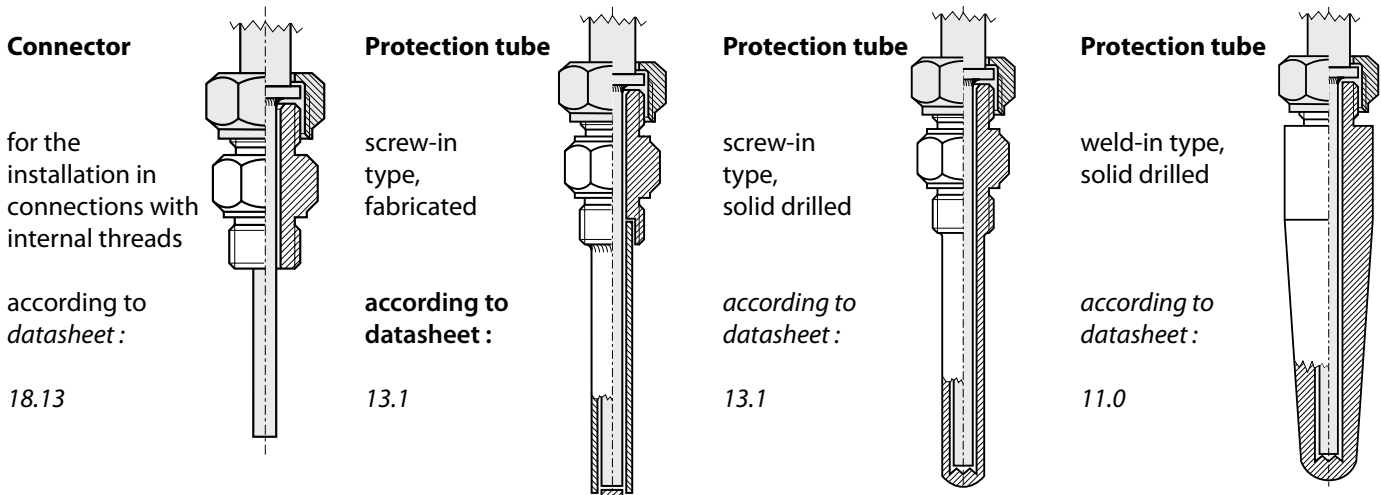
## Additional options (upon request)

- Safety glass or polycarbonate window for food industry
- Adjustable Pointer
- Dual scales °C/°F, customer specific scales
- Special materials for wetted parts



## Suggestions for installation of thermometers with revolving female nut

For further installation possibilities see chapter **protection tubes**



### Connector

for the installation in connections with internal threads

according to datasheet :

18.13

### Protection tube

screw-in type, fabricated

according to datasheet :

13.1

### Protection tube

screw-in type, solid drilled

according to datasheet :

13.1

### Protection tube

weld-in type, solid drilled

according to datasheet :

11.0

Revision 2.0 - 10/2004

# Gasexpansion- thermometer

for surface mounting, case with bayonet bezel, with revolving female nut

# Datasheet 52.13

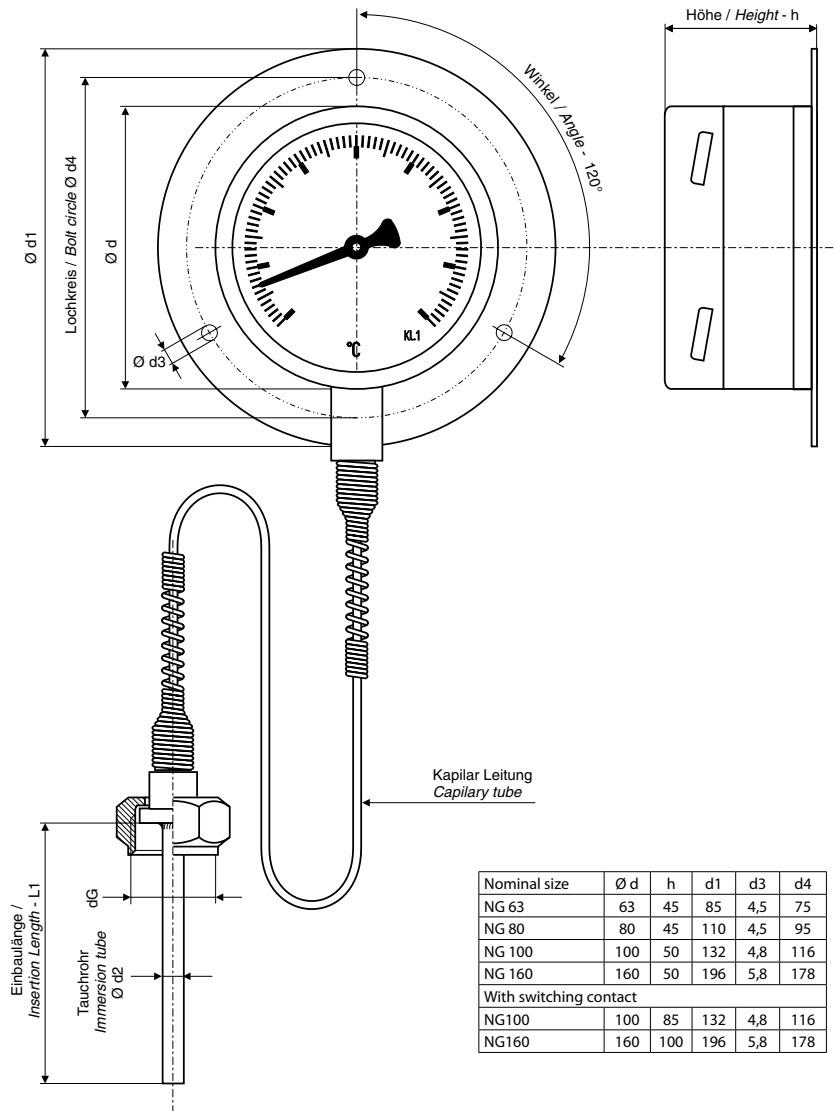
Gasexpansion- thermometers

Case dimension	
Ordering code	C
NG 63	3
NG 80	4
NG 100	5
NG 160	6

Scale ranges	
Ordering code	F G
- 40 ... + 40 °C	49
- 40 ... + 60 °C	50
- 30 ... + 50 °C	52
- 20 ... + 40 °C	53
- 20 ... + 60 °C	54
0 ... + 60 °C	58
0 ... + 80 °C	59
0 ... + 100 °C	60
0 ... + 120 °C	61
0 ... + 160 °C	62
0 ... + 200 °C	63
0 ... + 250 °C	64
0 ... + 300 °C	65
0 ... + 350 °C	66
0 ... + 400 °C	67
0 ... + 500 °C	68
0 ... + 600 °C	69
Special range	99

Additional equipment	
Ordering code	H I
Without	00
Slow-acting contact	12
Contact magnetic system	22
Intrinsically safe contact	32
Electronic contact	42
Marking pointer	50
Maximum pointer	60
Siliconeoil filled	70
Glycerinoil filled	80

Capillary	
Ordering code	LM
Stainless steel	03
Stainless steel with PVC-coat	04
Stainless steel with spiral protecting hose	05



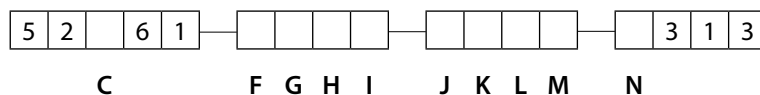
Connection function		
Ordering code	J K	
No contact	00	
single contact	Closing contact	X 1
	Opening contact	X 2
	Change over contact	X 3
double contact	2 × Closing contact	1 1
	2 × Opening contact	2 2
	1. Closing/ 2. Opening	1 2
	1. Opening/ 2. Closing	2 1

Thread		
Ordering code		N
G 1/2"	27 mm flats	1
G 3/4"	32 mm flats	2
G 1"	41 mm flats	3
M 18 × 1,5	24 mm flats	6
M 20 × 1,5	27 mm flats	7
M 24 × 1,5	32 mm flats	8
Special thread		9

## Ordering-code :

For ordering please fill out all empty digits in the order code on the right.

The code numbers for all free digits you find in the charts above.



## For ordering please declare in plain language:

Ø Immersion tube (d<sub>2</sub>) :      Capillary length:      Special ranges (upon request) :      Insertion length (L<sub>1</sub>)

6mm    8mm      ..... mm      ..... °C to ..... °C      ..... mm

10mm    12 mm      Protection tube acc. to datasheet: .....