

# Bourdon Tube Pressure Gauge

Case with bayonet bezel, bottom connection

Datasheet 65.1

Pressure gauges

## Description :

Bourdon tube pressure gauge according EN 837-1.  
Suitable for all gaseous and liquid media that will not obstruct the pressure system or attack copper alloy parts.

**Scale ranges :** 0...400 mbar up to 0...1600 bar

**Accuracy :** Class 1,0 acc. EN 837-1 / 5

## Pressure element :

Material: Stainless steel 1.4571 or Cu-alloy  
≤ 60 bar : C-type  
> 60 bar : helical type

**Movement :** Brass

## Working pressure :

Steady : full scale value  
Fluctuating : 0,9 × full scale value  
Short time : 1,3 × full scale value

## Case :

Case with bayonet bezel  
Nominal size 100 or 160 mm  
Protection class IP 65  
Material Stainless steel 1.4301

## Additional equipment :

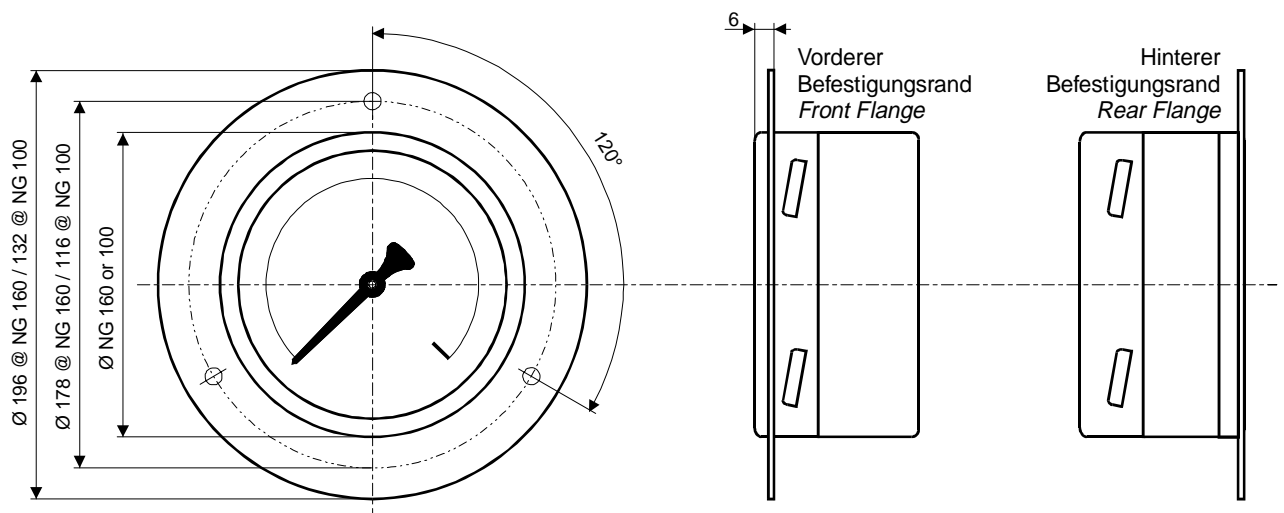
Glycerine filling, adjustable alarm contacts

## Process connection :

Male thread G $\frac{1}{2}$ " mat. stainless steel 1.4571 or Brass

**Typical applications :** Industry, Plant construction

## Executions for wall- and flush panel mounting



# Datasheet 65.1

Pressure gauges

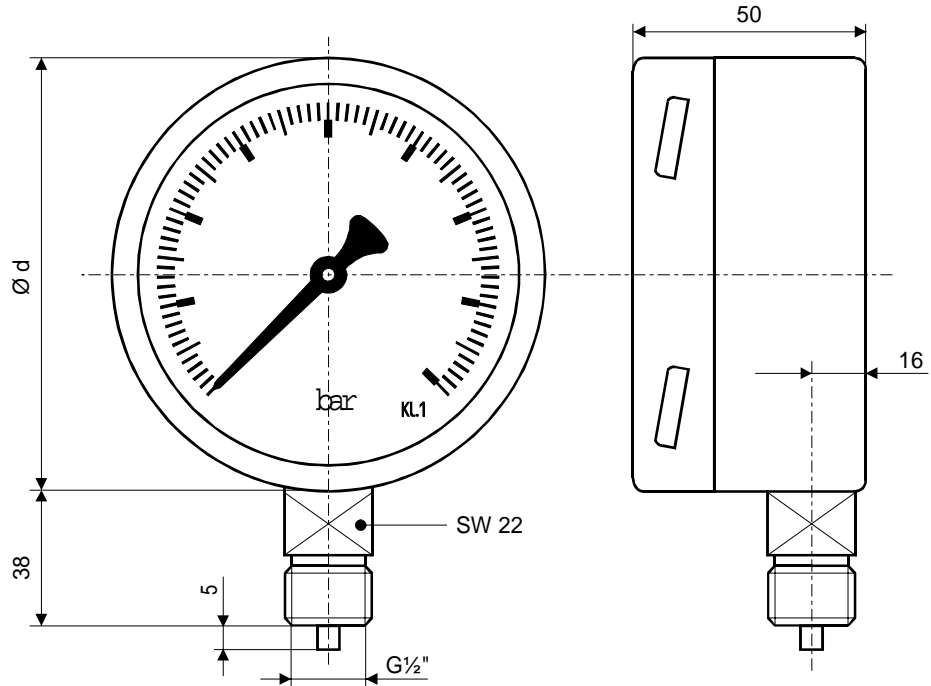
# Bourdon Tube Pressure Gauge

Case with bayonet bezel, bottom connection

Case dimensions			
Ordering - code			<b>C</b>
<b>Ø(d)</b>	<b>Height (h)</b>		
100	50		5
160	50		6
for contact instruments :			
100	85		
160	100		

Execution	
Ordering - code <b>D</b>	
normal	1
with front flange	2
with rear flange	3

Measurement ranges			
Ordering - code			<b>F G</b>
-1 ... 0	bar		1 1
-0,6 ... +1	bar		1 2
-1 ... +0,6	bar		1 3
-1 ... +1,5	bar		1 4
-1 ... +3	bar		1 5
-1 ... +5	bar		1 6
-1 ... +9	bar		1 7
-1 ... +15	bar		1 8
0 ... +0,6	bar		1 9
0 ... +1	bar		2 0
0 ... 1,6	bar		2 1
0 ... 2,5	bar		2 2
0 ... 4	bar		2 3
0 ... 6	bar		2 4
0 ... 10	bar		2 5
0 ... 16	bar		2 6
0 ... 25	bar		2 7
0 ... 40	bar		2 8
0 ... 60	bar		2 9
0 ... 100	bar		3 0
0 ... 160	bar		3 1
0 ... 250	bar		3 2
0 ... 400	bar		3 4
0 ... 600	bar		3 5
0 ... 1000	bar		3 6
0 ... 1600	bar		3 7
Special range			9 9



Connection (electrical)	
Ordering - code <b>I</b>	
Without	0
1 m connection cable	1
Connection box	2

Additional Equipment	
Ordering- code <b>H</b>	
Without	0
Slow- acting contact	1
Contact magnetic system	2
Intrinsically safe contact	3
Electronic contact	4
Marking pointer	5
Maximum pointer	6
Glycerine filling	8

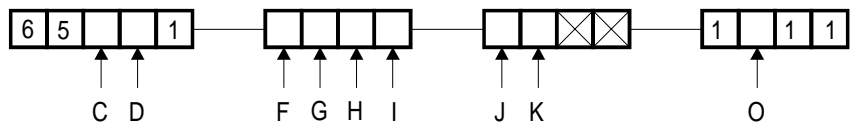
Contact-functions	
Ordering- code <b>J K</b>	
<b>Single contact</b>	
Closing contact	X 1
Opening contact	X 2
Change- over contact	X 3
<b>Double contact</b>	
2 x Closing contact	1 1
2 x Opening contact	2 2
1.Closing/2.Opening	1 2
1.Opening/2.Closing	2 1

Material for media touching parts	
Ordering - code <b>O</b>	
Brass	1
Stainless steel 1.4571	3

## Ordering key :

For ordering please fill out all empty digits of the ordering key.

The codes for the ordering key you will find in the charts above.



## Please define in clear text :

Special Range (Minimum Span = 400 mbar)

from ..... up to ..... Unit :  bar  Pascal  PSI  other : .....

Speciality : .....