

Description :

Isolating valves for pressure gauges.

- Plain valves per DIN 16 270
(with venting screw)
- Valves with test connection per DIN 16 271
(with venting screw)
- Valves with blocking test connection per DIN 16 272

Connection :

G $\frac{1}{2}$ " according to DIN 16 288, with or without test connection M20 x 1,5

1/2 " NPT and other connections available upon request

Body :

Brass:

PN 250, temperature range -10 to +120 °C

Stainless steel:

PN 400, temperature range -20 to +200 °C

Carbon steel:

PN 400, temperature range -10 to +120 °C

Needle and seating

Corrosion and acid-resisting stainless steel

Gland packing

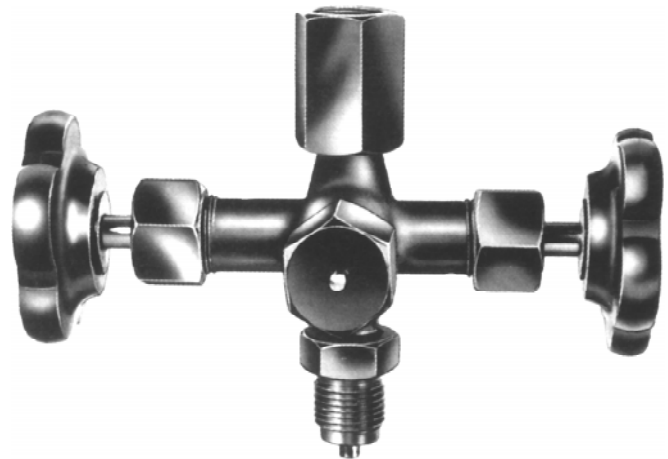
PTFE

Hand wheel

Heat resistant plastic



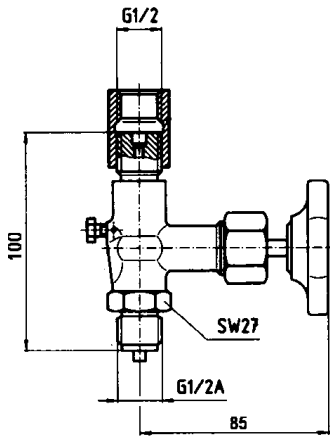
Valve according to DIN 16 270
- without test connection



Valve according to DIN 16 272
- with blocking test connection

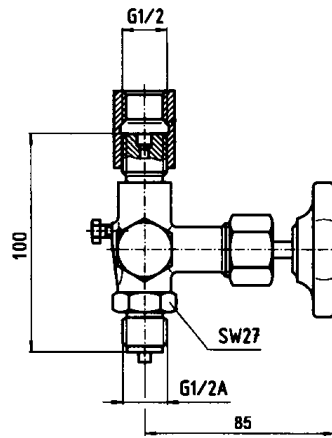
Type 1

- without test connection



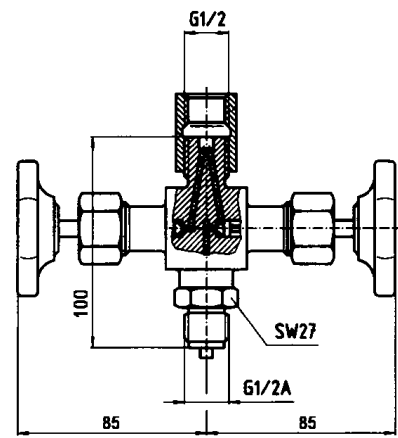
Type 2

- with test connection
(non blocking)



Type 3

- with blocking test connection



| Type | |
|------------------------|----------|
| Ordering - code | D |
| Type 1 | 1 |
| Type 2 | 2 |
| Type 3 | 3 |

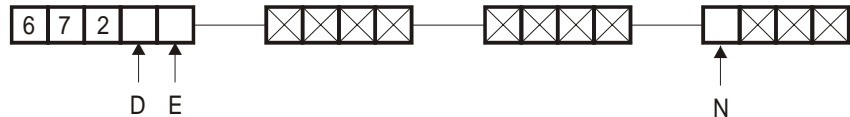
| Body material | |
|------------------------------|----------|
| Ordering - code | E |
| Brass | 1 |
| Steel | 2 |
| Stainless steel 1.4571 | 3 |

| Connection | |
|--------------------------|----------|
| Ordering - code | N |
| G 1/2" acc. DIN | 1 |
| Special connection | 9 |

Ordering-code :

for ordering please fill out all empty digits in the order code on the right.

The code numbers for all free digits you find in the charts above.



Please declare in plain text :

Special connection :

Others :