

Description :

Low- cost resistance thermometer for industrial applications.
Connection via plug according to DIN 43650

Temperature limits :

without necktube: -50...+120 °C
with necktube: -50...+200 °C

Cable inlet : PG 9

Clampable diameter : max. 2,5 mm²

Protection class : IP 65 according to DIN EN 40050 / IEC 60529

Process connection :

Fixed thread nipple with
G½", NPT ½" or M20 x 1,5 thread

Measuring insert:

The measuring insert without transmitter is not changable.
The measuring insert with transmitter is changable.

RTD :

Pt100 according to DIN EN 60751 / IEC 751
other RTD's e.g. Pt1000 or Ni100 upon request

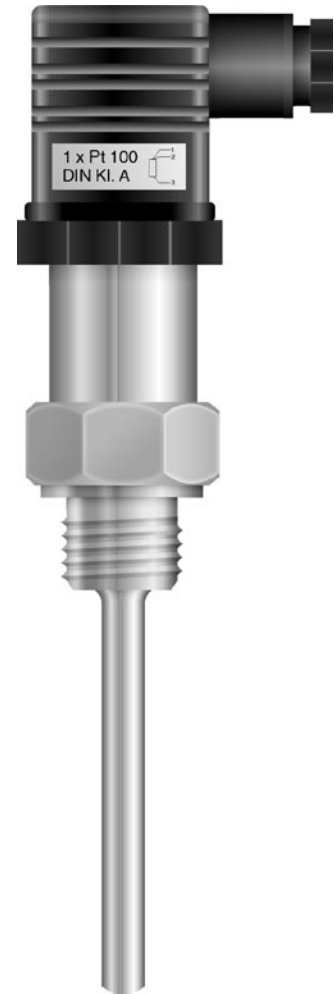
Accuracy:

Class A and B according to DIN EN 60751 / IEC 751
Tolerance Pt100 Cl. A @ 100 °C : 0,35 °C
Tolerance Pt100 Cl. B @ 100 °C : 0,80 °C
The tolerances for Pt 100 RTD's you can see in the chart "Values and Tolerances of Pt100 resistance thermometers" in the appendix.

Electrical connection : 3 - wire circuit

Suggestions for installation of resistance thermometer with fixed external thread

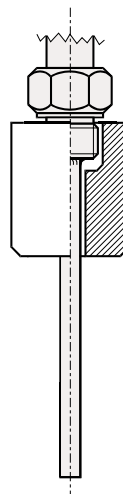
For further installation possibilities see chapter **protection tubes**



Thread joint,

weld - in type

according to datasheet
18.11



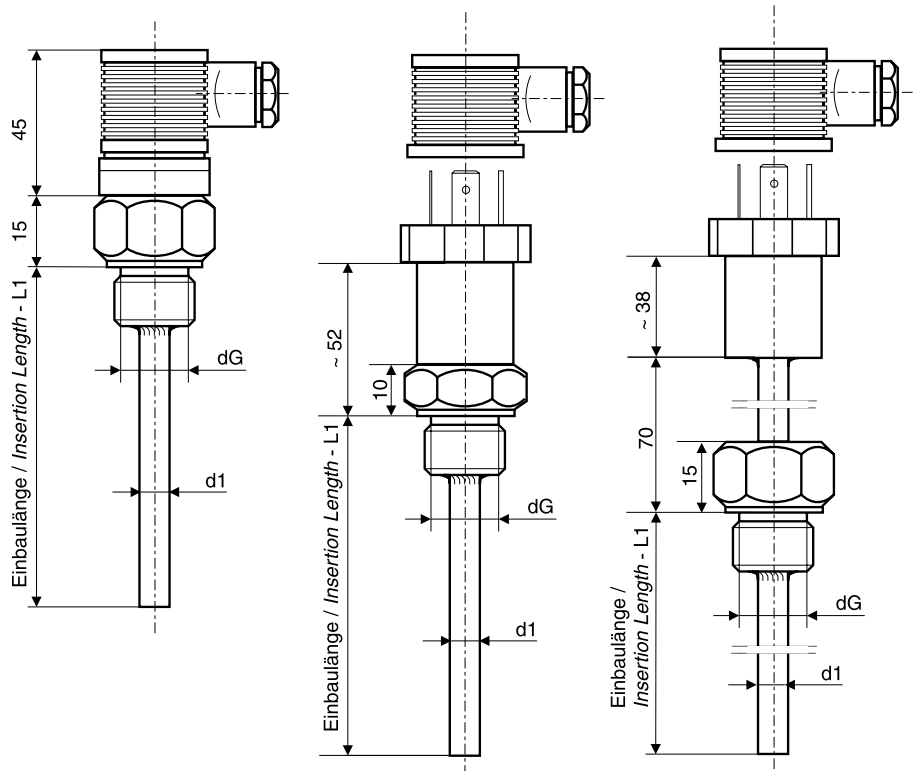
Material for tube and thread	
Ordering code	F G
Stainless steel	0 3
Special material	9 9

Protection tube diameter	
Ordering code	H I
6mm	1 3
9mm (Standrad)	5 6
11mm	6 8
Special diameter	9 9

Threads / dG	
Ordering code	J K
G 1/2" SW 27	0 1
NPT 1/2" SW 27	0 4
M 20 x 1,5 SW 27	0 7
Special thread	9 9

Necktube	
Ordering code	LM
Without necktube	0 0
With necktube	0 1

Transmitter 4...20mA	
Ordering code	N
Without Transmitter	0
With Transmitter	1



Without transmitter

With transmitter

With transmitter and necktube

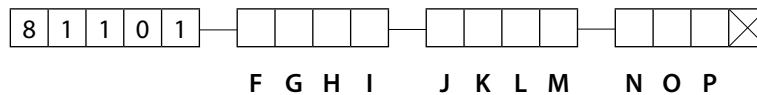
Connection	
Ordering code	O
2 - Wire configuration	2
3 - Wire configuration	3

RTD	
Ordering code	P
Pt100 CL. B	1
Pt100 CL. A	2
Special RTD	9

Ordering-code :

for ordering please fill out all empty digits in the order code on the right.

The code numbers for all free digits you find in the charts above.



For ordering please declare in plain text :

Special material :

.....

Special length:

..... mm

Special bore:

..... mm