

## Description :

Resistance thermometer for industrial applications with waterproof connector (IP68)  
With plug or fixed connected cable 5 m material pur

## Installation :

For the direct installation into the process.  
Execution for food- and chemical industry with clamp- or varivent-connection

## Measuring Insert:

The insert can be replaced seperately - the process does not have to opened.

## Measuring Element :

Pt100 according to DIN EN 60751 / IEC 751  
*other Measuring elements e.g. Pt1000 or Ni100 upon request*

## Accuracy :

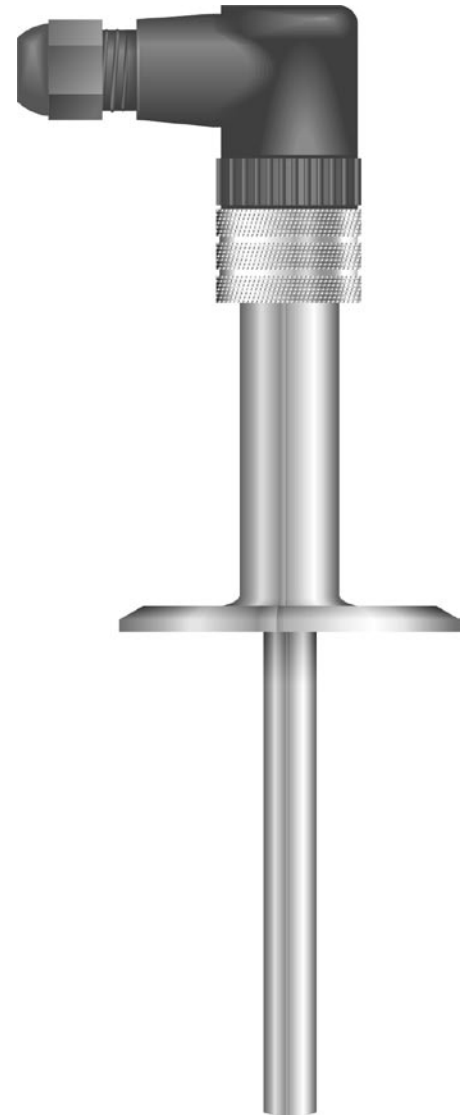
Class A or B according to DIN EN 60751 / IEC 751  
Also available with reduced tolerances e.g. 1/5 DIN Cl. B  
*The tolerances for Pt 100 RTD's you can see in the chart "Values and Tolerances of Pt100 resistance thermometers" in the appendix.*

## Electrical connection:

Pt 100 / 4 - wire

## Maximum Temperature Range :

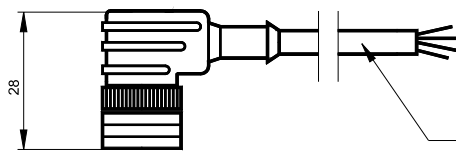
Media temperature : - 50 ... + 180 °C  
Ambient temperature : - 30 ... + 90 °C



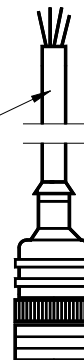
## Execution with fixed connection cable

Execution	
<b>Ordering code</b>	<b>D</b>
With plug	1
<b>With fixed cable:</b> cable exit upwards	2
<b>With fixed cable:</b> cable exit sideways	3

### Cable exit sideways



### Cable exit upwards

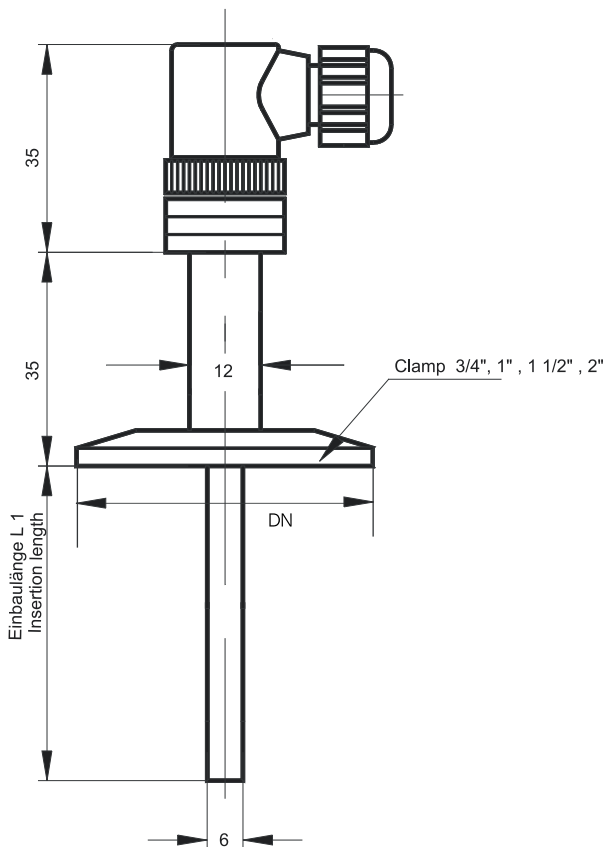


Stem diameter / d1	
<b>Ordering code</b>	<b>H I</b>
6mm	1 3
9mm	5 6
Special diameter	9 9

## Execution with plug

Process connection	
<b>Ordering code</b>	<b>J K</b>
Clamp connection	1 7
Varivent connection	2 7

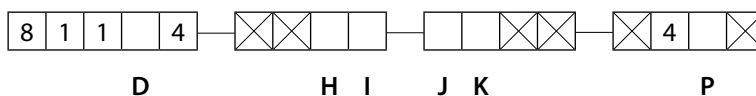
RTD	
<b>Ordering code</b>	<b>P</b>
1 x PT100 CL. B	1
1 x PT100 CL. A	2
Special RTD	9



### Ordering-code :

for ordering please fill out all empty digits in the order code on the right.

The code numbers for all free digits you find in the charts above.



### For ordering please declare in plain text :

Special material :

Special length:

Special bore:

Nominal diameter

.....

..... mm

..... mm

DN.....