

Description :

Resistance thermometer for industrial applications.
Type B according to DIN 43765.

Installation :

For the installation into protection tubes.
Direct installation into the process is not possible.
The terminal head can be aligned after the installation.

Measuring Insert:

Execution according DIN 43762
The insert can be replaced seperately.
For single measuring inserts see datasheet 801.

Measuring Element :

Pt100 according to DIN EN 60751 / IEC 751
other Measuring elements e.g. Pt1000 or Ni100 upon request

Accuracy :

Class A or B according to DIN EN 60751 / IEC 751
Also available with reduced tolerances e.g. 1/5 DIN Cl. B

Material of wetted parts

Stainless steel AISI316Ti (1.4571)
other upon request

Electrical connection:

Ceramic terminal block for 1 x Pt100 2-, 3- or 4- wire connection
or 1 x Pt100 2- or 3- wire connection.
Also available with mounted head transmitter.

Maximum Temperature Range :

-50...+550 °C



Picture shows execution with terminal head type B

Suggestions for installation of resistance thermometers with fixed external thread

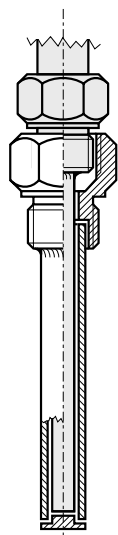
For further installation possibilities see chapter **protection tubes**

Protection tube

Screw in type, fabricated

according to datasheet :

- 12.1
- 12.0

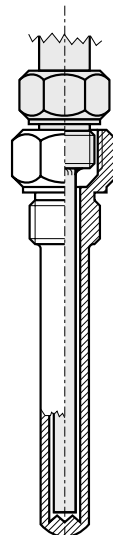


Protection tube

Screw in type, solid drilled

according to datasheet :

- 12.1
- 12.0

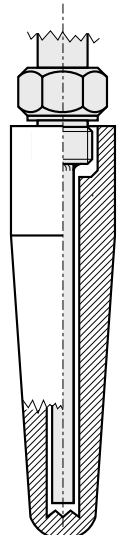


Protection tube

Weld in type, solid drilled

according to datasheet :

- 11.1



Revision 2.0 - 10/2004

Material for tube and thread	
Ordering code	F G
Stainless steel AISI316Ti (1.4571)	03
Special material	99

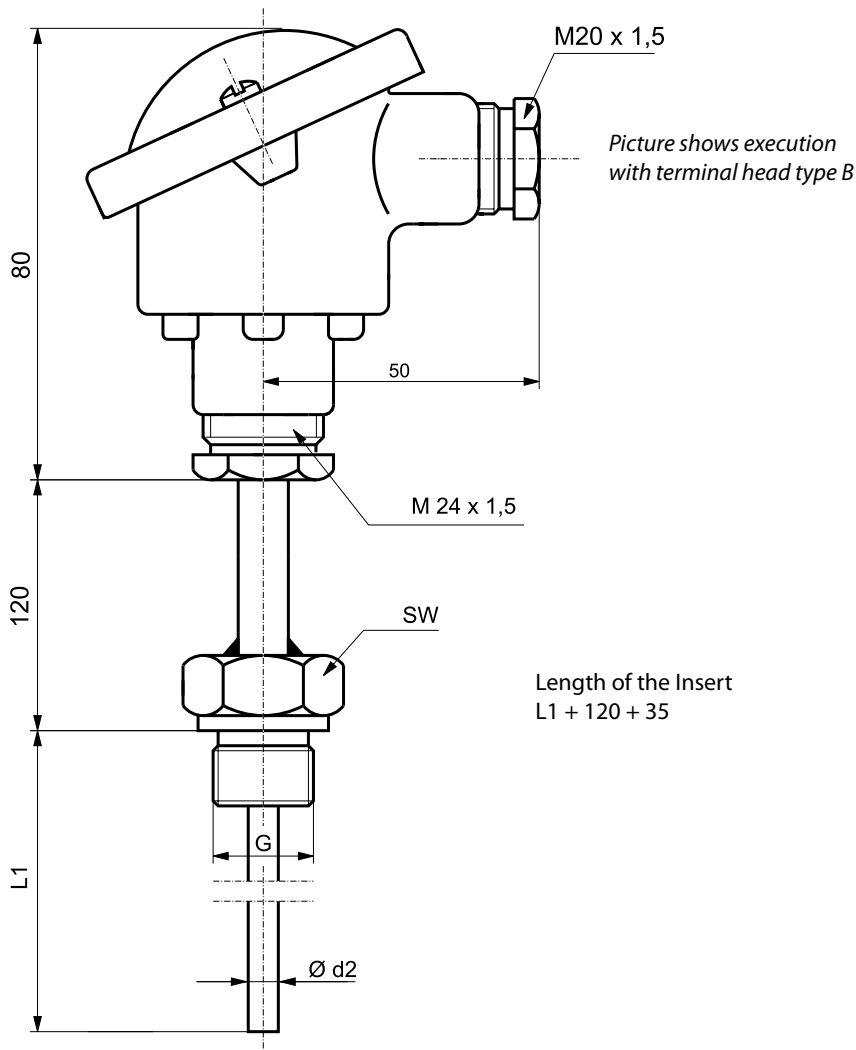
Insert diameter (d2)	
Ordering code	H I
3mm	01
6mm	03
8mm	04
Special diameter	99

Threads (G)		
Ordering code	J K	
G 1/2" SW 27	01	
G 3/4" SW 32	02	
G 1" SW 41	03	
M 18 x 1,5 SW 24	06	
M 20 x 1,5 SW 27	07	
Sondergewinde	99	

Terminal heads *1		
Ordering code	L M	
Type B	01	
Type BUZ	02	
Type BUZ - H	03	
Type NS	04	
Type GG	05	
Type BEG	06	
Special type	09	

Transmitter *2		
Ordering code	N	
Without	0	
According datasheet 844.00 *3	1	
According datasheet 846.00 *4	3	
According datasheet 847.00 *5	5	
According datasheet 848.00 *6	6	
Special type	9	

Connection *7		
Ordering code	O	
2 - Wire configuration	2	
3 - Wire configuration	3	
4 - Wire configuration *8	4	



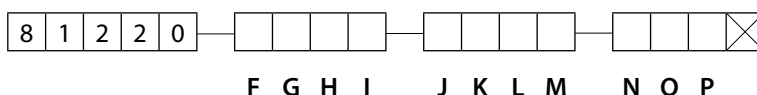
RTD		
Ordering code	P	
1 x Pt100 CL. B	1	
1 x Pt100 CL. A	2	
2 x Pt100 CL. B *8	3	
2 x Pt100 CL. A *8	4	
Special RTD	9	

- *1 Terminal heads see Infosheet 81.02
- *2 Declare measurement range in plain text
- *3 Analog, Low- Cost
- *4 Digital, Low- Cost, without separation
- *5 Digital, with separation
- *6 Digital, with separation, HART® compatible
- *7 Wiring schemes see datasheet 801.0
- *8 No 4- wire circuit with two Pt100

Ordering-code :

for ordering please fill out all empty digits in the order code on the right.

The code numbers for all free digits you find in the charts above.



For ordering please declare in plain text :

Insertion length (L_i): mm With transmitter / measuring range:°C to °C Protectiontube acc. to datasheet: