

Description :

Resistance thermometer for industrial applications.
Type B according to DIN 43765.

Installation :

For the direct installation into the process.
Connection e.g. via compression fitting.

Measuring Insert :

Execution according DIN 43762. The insert can be replaced separately. For single measuring inserts see datasheet 801.

Measuring Element :

Pt100 according to DIN EN 60751 / IEC 751
other Measuring elements e.g. Pt1000 or Ni100 upon request

Accuracy :

Class A or B according to DIN EN 60751 / IEC 751
Also available with reduced tolerances e.g. 1/5 DIN Cl. B

Material of wetted parts

Stainless steel AISI316Ti (1.4571)
other upon request

Electrical connection:

Ceramic terminal block for 1 x Pt100 2-, 3- or 4- wire connection
or 1 x Pt100 2- or 3- wire connection.
Also available with mounted head transmitter.

Maximum Temperature Range :

-50...+550 °C



Picture shows execution with connection head type B

Suggestions for installation of resistance thermometer with plain stem

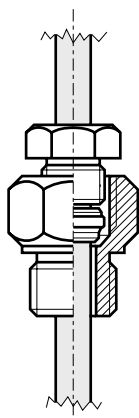
For further installation possibilities see chapter **protection tubes**

Compression fitting

Screw - in type

According to datasheet:

18.10

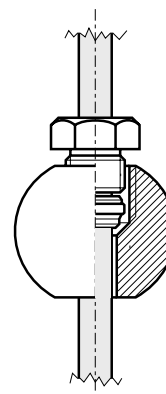


Compression fitting

Weld - in type

According to datasheet:

18.10



Resistance thermometer

With plain stem, insert exchangeable

Datasheet 814.1

Types with protection tube

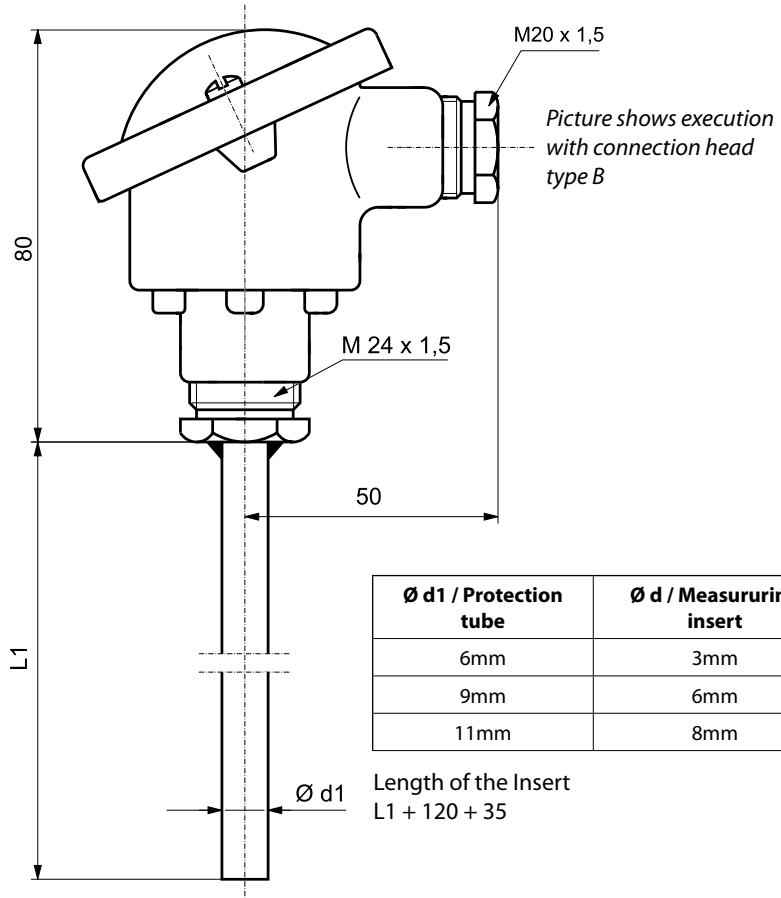
| Material for tube and thread | |
|------------------------------------|-----|
| Ordering code | F G |
| Stainless steel AISI316Ti (1.4571) | 0 3 |
| Special material | 9 9 |

| Stem diameter (d1) | |
|--------------------|-----|
| Ordering code | H I |
| 6 mm | 1 3 |
| 9 mm | 5 6 |
| 11 mm | 6 8 |
| Special diameter | 9 9 |

| Terminal heads *1 | |
|-------------------|-----|
| Ordering code | LM |
| Type B | 0 1 |
| Type BUZ | 0 2 |
| Type BUZ - H | 0 3 |
| Type NS | 0 4 |
| Type GG | 0 5 |
| Type BEG | 0 6 |
| Special type | 0 9 |

| Transmitter *2 | |
|-------------------------------|---|
| Ordering code | N |
| Without | 0 |
| According datasheet 844.00 *3 | 1 |
| According datasheet 846.00 *4 | 3 |
| According datasheet 847.00 *5 | 5 |
| According datasheet 848.00 *6 | 6 |
| Special type | 9 |

| Connection *7 | |
|---------------------------|---|
| Ordering code | O |
| 2 - Wire configuration | 2 |
| 3 - Wire configuration | 3 |
| 4 - Wire configuration *8 | 4 |



| Ø d1 / Protection tube | Ø d / Measuring insert |
|------------------------|------------------------|
| 6mm | 3mm |
| 9mm | 6mm |
| 11mm | 8mm |

Length of the Insert
L1 + 120 + 35

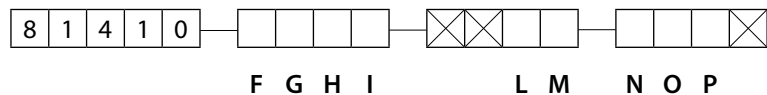
| RTD | |
|--------------------|---|
| Ordering code | P |
| 1 x Pt100 CL. B | 1 |
| 1 x Pt100 CL. A | 2 |
| 2 x Pt100 CL. B *8 | 3 |
| 2 x Pt100 CL. A *8 | 4 |
| Special RTD | 9 |

- *1 Terminal heads see Infosheet 81.02
- *2 Declare measurement range in plain text
- *3 Analog, Low-Cost
- *4 Digital, Low-Cost, without separation
- *5 Digital, with separation
- *6 Digital, with separation, HART® compatible
- *7 Wiring schemes see datasheet 801.0
- *8 No 4-wire circuit with two Pt100

Ordering-code :

for ordering please fill out all empty digits in the order code on the right.

The code numbers for all free digits you find in the charts above.



For ordering please declare in plain text :

Insertion length (L_i):

..... mm

with transmitter / Measuring range:

..... °C to °C