

Description :

Resistance thermometer for industrial applications.
Type F with necktube according to DIN 43765

Installation :

For the direct installation into the process with flange according to DIN 2527. The connection head can be turned after installation

Measuring Insert:

Execution according DIN 43762
The insert can be replaced separately. For single measuring inserts see datasheet 801

Measuring Element :

Pt100 according to DIN EN 60751 / IEC 751
other Measuring elements e.g. Pt1000 or Ni100 upon request

Accuracy :

Class A or B according to DIN EN 60751 / IEC 751
Also available with reduced tolerances e.g. 1/5 DIN Cl. B

Material of wetted parts

Stainless steel AISI316Ti (1.4571)
other upon request

Electrical connection:

Ceramic terminal block for 1 x Pt100 2-, 3- or 4- wire connection
or 1 x Pt100 2- or 3- wire connection.
Also available with mounted head transmitter.

Maximum Temperature Range :

-50...+550 °C



Picture shows execution with connection head type B

Resistance thermometer

With protection tube and flange

Datasheet 816.1

Types with necktube

Material for tube and thread	
Ordering code	F G
Stainless steel AISI316Ti (1.4571)	0 3
Special material	9 9

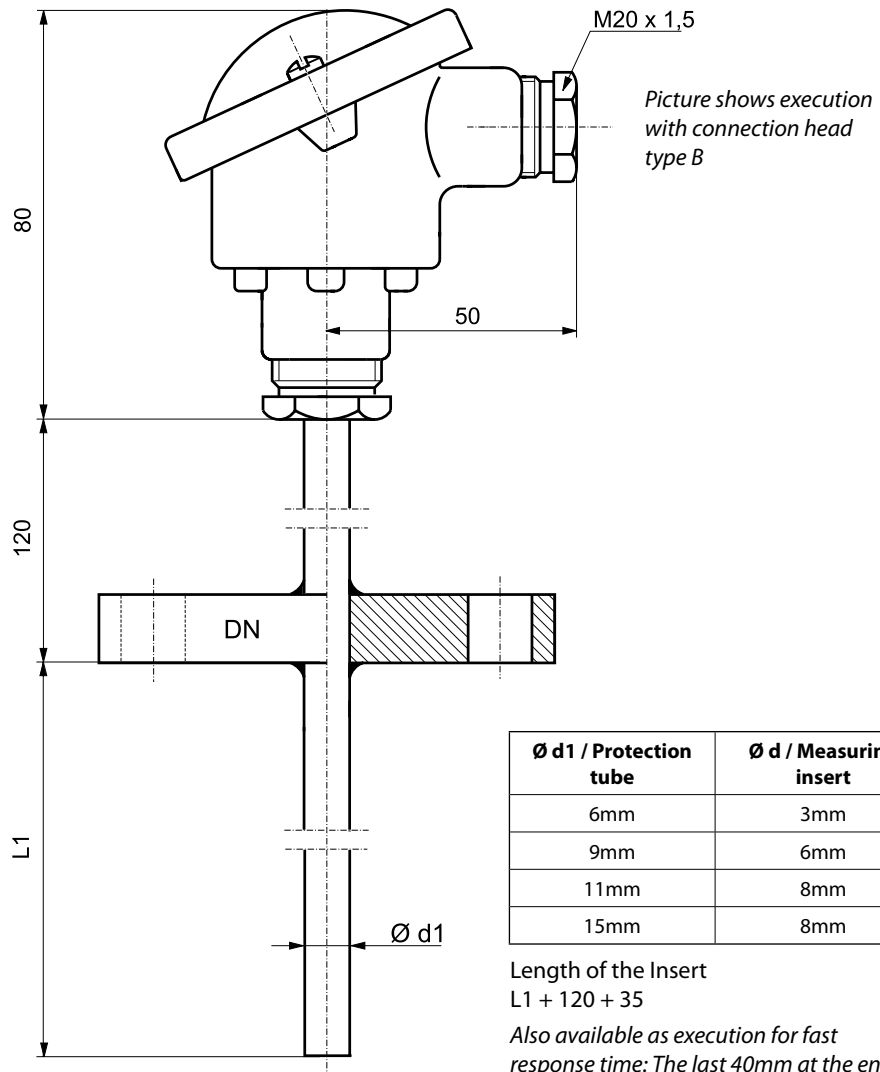
Protection tube diameter (d1)	
Ordering code	H I
6mm	1 3
9mm (Standard)	5 6
11mm	6 8
15mm	7 8
Special diameter	9 9

Process connection (DN) *1	
Ordering code	J K
DN 15	1 8
DN 20	2 8
DN 25	3 8
DN 32	4 8
DN 40	5 8
DN 50	6 8
DN 65	7 8

Terminal heads *2	
Ordering code	L M
Type B	0 1
Type BUZ	0 2
Type BUZ - H	0 3
Type NS	0 4
Type GG	0 5
Type BEG	0 6
Special type	0 9

Transmitter *3	
Ordering code	N
Without	0
According datasheet 844.00 *4	1
According datasheet 846.00 *5	3
According datasheet 847.00 *6	5
According datasheet 848.00 *7	6
Special type	9

Connection *8	
Ordering code	O
2 - Wire configuration	2
3 - Wire configuration	3
4 - Wire configuration *9	4



Length of the Insert
L1 + 120 + 35

Also available as execution for fast response time: The last 40mm at the end of the protection tube are rejuvenated to Ø 6mm.
(only for protection tubes Ø d1 = 9mm)

RTD	
Ordering code	P
1 x Pt100 CL. B	1
1 x Pt100 CL. A	2
2 x Pt100 CL. B *9	3
2 x Pt100 CL. A *9	4
Special RTD	9

*1 Declare pressure rating in plain text

*2 Terminal heads see Infosheet 81.02

*3 Declare measurement range in plain text

*4 Analog, Low- Cost

*5 Digital, Low- Cost, without separation

*6 Digital, with separation

*7 Digital, with separation, HART® compatible

*8 Wiring schemes see datasheet 801.0

*9 No 4- wire circuit with two Pt100

Ordering-code :

for ordering please fill out all empty digits in the order code on the right.

The code numbers for all free digits you find in the charts above.

For ordering please declare in plain text :

Insertion length (L_i):

..... mm

with transmitter / Measuring range:

..... °C to °C

Pressure rating (PN):

.....

