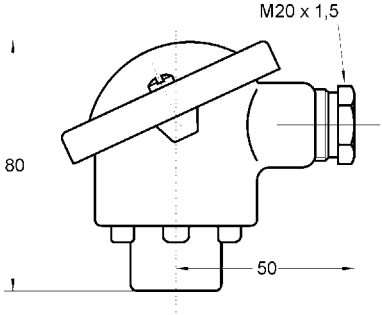
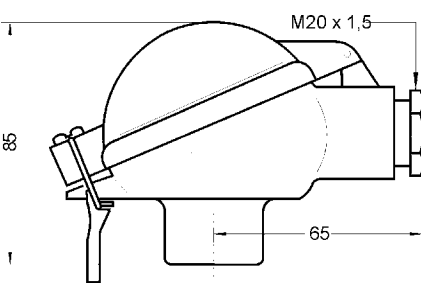
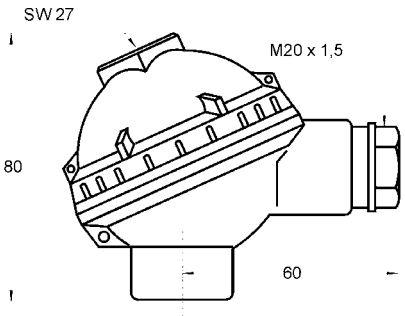
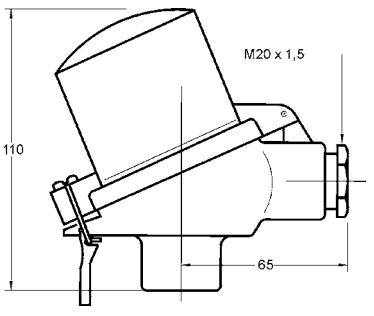
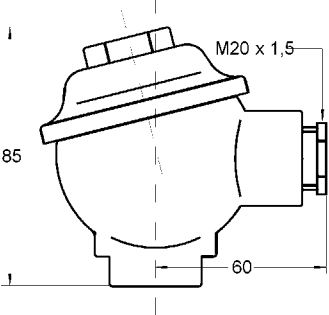
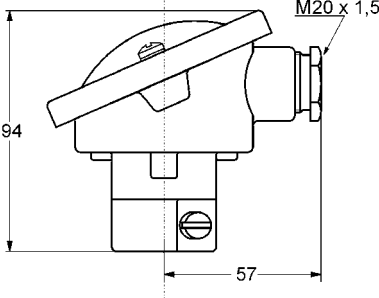
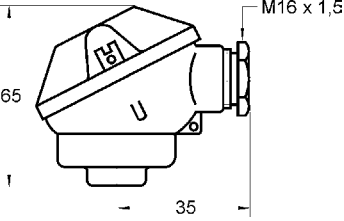
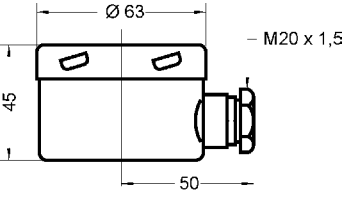


General

The connection to the thermometer takes place with a metric thread or a borehole with clamp screw.
 When delivered assembled with a RTD- or TC- armature all connection heads are protection class IP 65 according to IEC 529 unless a clamp screw is used for instrument connection, where the protection class is IP 53.
 Upon request the IP 65 heads can also be delivered as IP 68.

<p>Connection head - type B For installation of clamp terminals or transmitters</p> <p>Lid: Lid with 2 fastening screws</p> <p>Material : Aluminium diecast (AlSi9Cu3)</p> <p>Instrument connection : Thread M 24 x 1,5 mm or Ø 15,3 mm with clamp screw</p> <p>Cable Outlet: M20 x 1,5</p>	
<p>Connection head - type BUZ For installation of clamp terminals or transmitters</p> <p>Lid: Flap Lid with clamping yoke or screw</p> <p>Material : Aluminium diecast (AlSi9Cu3)</p> <p>Instrument connection : M 24 x 1,5 mm</p> <p>Cable Outlet: M20 x 1,5</p>	
<p>Connection head - type NS For installation of clamp terminals or transmitters</p> <p>Lid: Screw cap</p> <p>Material : Polyamide PA 12, antistatic - black</p> <p>Instrument connection : M 24 x 1,5 mm</p> <p>Cable Outlet: M20 x 1,5</p>	
<p>Connection head - type BUZ - H For installation of clamp terminals and transmitters or two transmitters</p> <p>Lid: Flap Lid with clamping yoke or screw</p> <p>Material : Aluminium diecast (AlSi9Cu3)</p> <p>Instrument connection : M 24 x 1,5 mm</p> <p>Cable Outlet: M20 x 1,5</p>	

<p>Connection head - type GG For installation of clamp terminals or transmitters</p> <p>Lid: Screw cap</p> <p>Material : Gray cast iron</p> <p>Instrument connection : M 24 x 1,5 mm</p> <p>Cable Outlet: M20 x 1,5</p>	
<p>Connection head - type A For installation of clamp terminals or transmitters</p> <p>Lid: Lid with 2 fastening screws</p> <p>Material : Aluminium diecast (AlSi9Cu3)</p> <p>Instrument connection : Ø 22,3 mm with clamp screw</p> <p>Cable Outlet: M20 x 1,5</p>	
<p>Connection head - type MA For installation of clamp terminals, max. 4 terminals, no transmitter possible</p> <p>Lid: Lid with 2 fastening screws</p> <p>Material : Aluminium diecast (AlSi9Cu3)</p> <p>Instrument connection : M 10 x 1 mm</p> <p>Cable Outlet: M16 x 1,5</p>	
<p>Connection head - type BAJ For installation of clamp terminals or transmitter.</p> <p>Lid: Bayonet bezel</p> <p>Material : Stainless steel 1.4301 / AISI 304</p> <p>Instrument connection : Variable</p> <p>Cable Outlet: M20 x 1,5</p>	
<p>Connection head - type BEG For installation of clamp terminals or transmitters</p> <p>Lid: Screw cap with chain</p> <p>Material : Stainless steel 1.4541 / AISI 321</p> <p>Instrument connection : M 24 x 1,5 mm</p> <p>Cable Outlet: M20 x 1,5</p>	