

Description :

Thermocouples according DIN 43733 for industrial applications.

Installation :

Direct installation into the process with compression fitting or installation with protection tube.

Measuring Insert :

Execution according DIN 43735. The insert can be replaced separately. For single measuring inserts see datasheet 801.

Thermocouples :

Type L (Fe-CuNi) according to DIN 43710

Type J (Fe-CuNi) according to DIN EN 60584 / IEC 584

Type K (NiCr-Ni) according to DIN EN 60584 / IEC 584

The DIN-Types T, S, E, N, R and B available upon request.

Accuracy :

Class 1 according to DIN EN 60584 / IEC 584

Material of wetted parts

Stainless steel AISI316Ti (1.4571)

other upon request

Electrical connection:

Ceramic connection terminal for 1 or 2 thermocouples.

Also available with mounted head transmitter.

Temperature Limits :

Maximum Temperature 800 °C



Picture shows execution with connection head type B

Suggestions for installation of thermocouples with plain stem

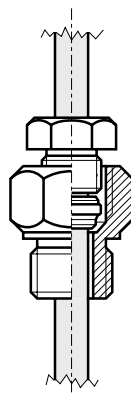
For further installation possibilities see chapter **protection tubes**

Compression fitting

Screw - in type

According to datasheet:

18.10

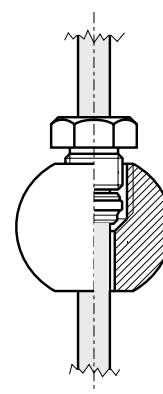


Compression fitting

Weld - in type

According to datasheet:

18.10



Thermocouples

With stainless steel protection tube

Datasheet 821.2

Straight Thermocouples

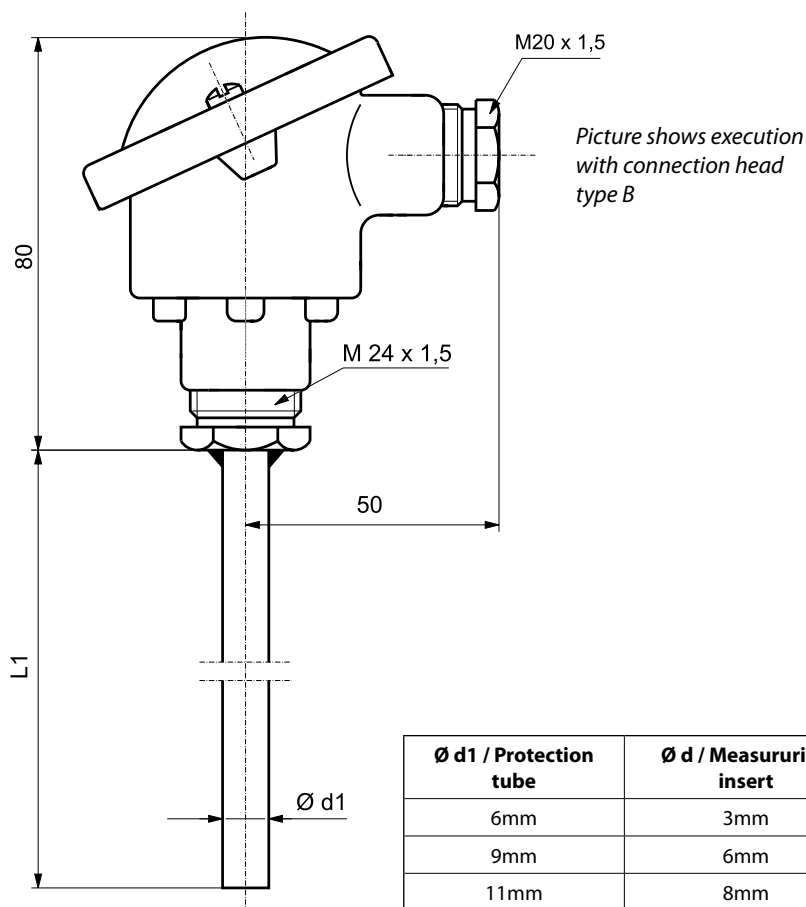
Protection tube diameter (d1)	
Ordering code	F G
6mm	1 3
9mm	5 6
11mm	6 8
Special diameter	9 9

Terminal heads *1	
Ordering code	H I
Type B	0 1
Type BUZ	0 2
Type BUZ - H	0 3
Type NS	0 4
Type GG	0 5
Type BEG	0 6
Special type	0 9

Thermocouples	
Ordering code	LM
Typ L (Fe - CuNi)	1 0
Typ J (Fe - CuNi)	1 1
Typ K (Ni - CrNi)	1 2
Special type	9 9

Transmitter *2	
Ordering code	N
Without	0
According datasheet 844.00 *3	1
According datasheet 846.00 *4	3
According datasheet 847.00 *5	5
According datasheet 848.00 *6	6
Special type	9

Number of thermocouples *7	
Ordering code	P
Single TC	1
Double TC	2



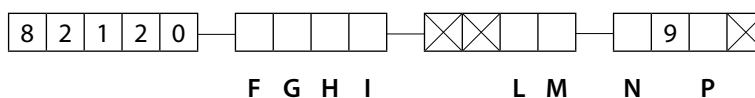
Ø d1 / Protection tube	Ø d / Measuring insert
6mm	3mm
9mm	6mm
11mm	8mm

- *1 Terminal heads see Infosheet 81.02
- *2 Declare measurement range in plain text
- *3 Analog, Low- Cost
- *4 Digital, Low- Cost, without seperation
- *5 Digital, with seperation
- *6 Digital, with seperation, HART® compatible
- *7 Wiring schemes see datasheet 802.0

Ordering-code :

for ordering please fill out all empty digits in the order code on the right.

The code numbers for all free digits you find in the charts above.



For ordering please declare in plain text :

Insertion length (L_i): mm With transmitter / measuring range:°C to°C