

Description :

Weld - in protection tubes form BS and CS according to DIN 16179

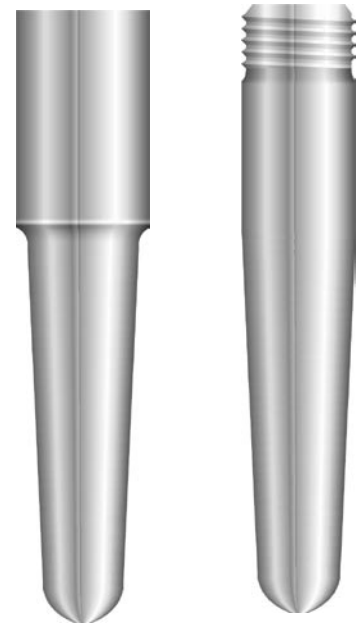
- Form BS suitable for thermometers with external thread (our types 11 and 12)
- Form CS suitable for thermometers with loose gland nut (our type 13)

Customized executions are available upon request

- Different materials available - see backpage (also special materials e.g. Hastelloy, Titanium, Nickel etc.)

Hint

The standard DIN 16179 is no longer valid and has been replaced by standard DIN 43772. We suggest not to use these thermowells in new plants. Choose suitable types according DIN 43772 instead.



Diameters and connections

Form BS:

for stem Ø	d1	d5	d6	d7	b1	h6	r2	r3	t1
10	M20 x 1,5 R $\frac{1}{2}$ "	30	25	11	16	39	2,5	8,5	20
	M27 x 2 R $\frac{3}{4}$ "	36	26		20	45	4		
12				13				9,5	

Form CS:

for stem Ø	d1	d7	d9	h2	h6	r3
10	M20 x 1,5 R $\frac{1}{2}$ "	11	24	12	39	8,5
	M27 x 2 R $\frac{3}{4}$ "		30	14	45	
12		13				9,5

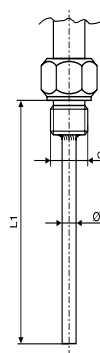
length dimension

Form BS:

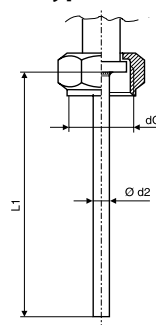
for stem Ø	Insertion length L1 for connection		12 (± 1)
	Typ 11	Typ 12	
10	100	80	73
	160	140	133
	250	230	223
12	100	80	73
	160	140	133
	250	230	223
	400	380	373

connection types

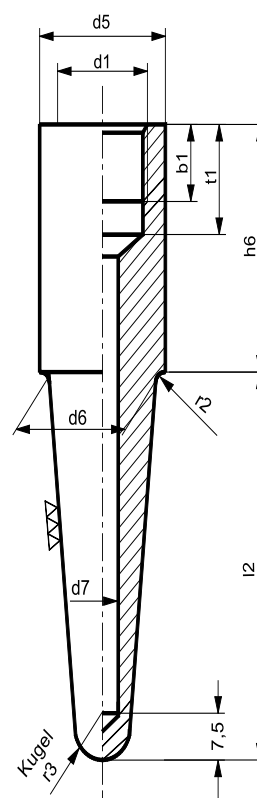
Type 11



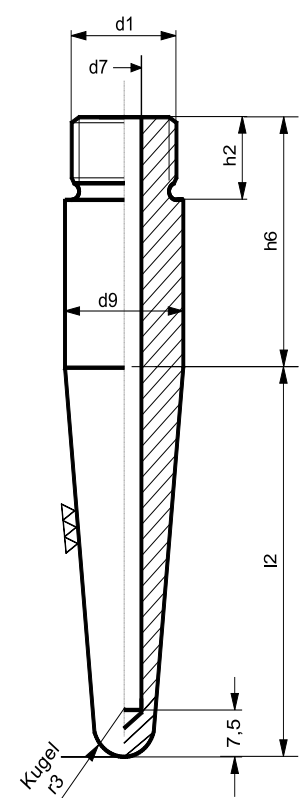
Type 13



Form BS:



Form CS:



Form CS:

for stem Ø	suitable for thermometer with L1	12 (± 1)
10	89	63
	93	63
	126	100
	130	100
	186	160
	190	160
	280	250
12	93	63
	130	100
	190	160
	280	250
	430	400

Revision 2.0 - 10/2004

DIN-Protection tube /weld-in types

solid drilled, with male and female connection

Datasheet 11.0

Protection tubes

Type	
ordering code	F
Form BS	1
Form CS	2

Material		
ordering code		H
Steel C 22.8	(1.0460)	1
Stainless steel	(1.4571)	2
10CrMo9-10	(1.7380)	3
13CrMo4-4	(1.7335)	4
16Mo3	(1.5415)	5
special material		9

Instrument connection	
ordering code	J
G 1/2"	1
G 3/4"	2
M 20 x 1,5	7
special thread	9

Drilling	
Ordering code	K
for sensor 10mm	4
for sensor 12mm	5
special diameter	9

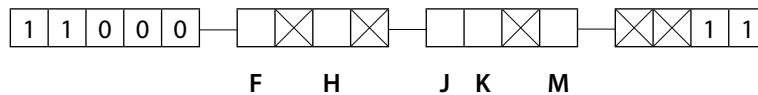
Certificates acc. DIN EN 10204	
ordering code	M
without	0
certificate 2.2	1
certificate 3.1	3
certificate 3.2	4

The certificates 2.2 and 3.1 are also available with a pressure inspection

Ordering-code :

for ordering please fill out all empty digits in the order code on the right.

The code numbers for all free digits you find in the charts above.



For ordering please declare in plain text :

Special material :

Special length:

Special bore:

.....

..... mm

..... mm