

Description :

Weld - in protection tubes form 4 according to DIN 43772-2

- Suitable for thermometers with external thread (our types 11 and 12)

Customized executions are available upon request

- Different materials available - see backpage (also special materials e.g. Hastelloy, Titanium, Nickel etc.)



Diameters and connection dimensions

d1*	d2**	F2	N	F3	H1	H2	suitable for		
3,5	3	18	M 14 x 1,5	9			electronic thermometer		
7	6	24	M 18 x 1,5	12,5	16	13			
		26	G 1/2" (M 20 x 1,5)		19	15			
					15				
11	10	32	G 3/4" (M 27 x 2)	17				dial thermometer	
13	12			19	22	17			
14	13					20			

length dimension

Form 4			length type
L (± 2 / 0)	G (± 1 / 0)	U (± 2 / 0)	
110	105	65	1
140	135	65	2
170	165	125	3
200	195	125	4
260	255	125	5
410*	405	275	6

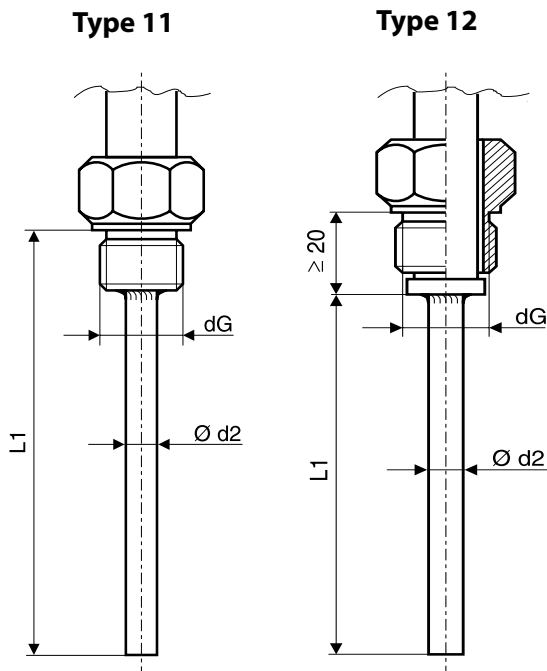
* not with drilling Ø 3.5

* Ø bore ** Ø stem

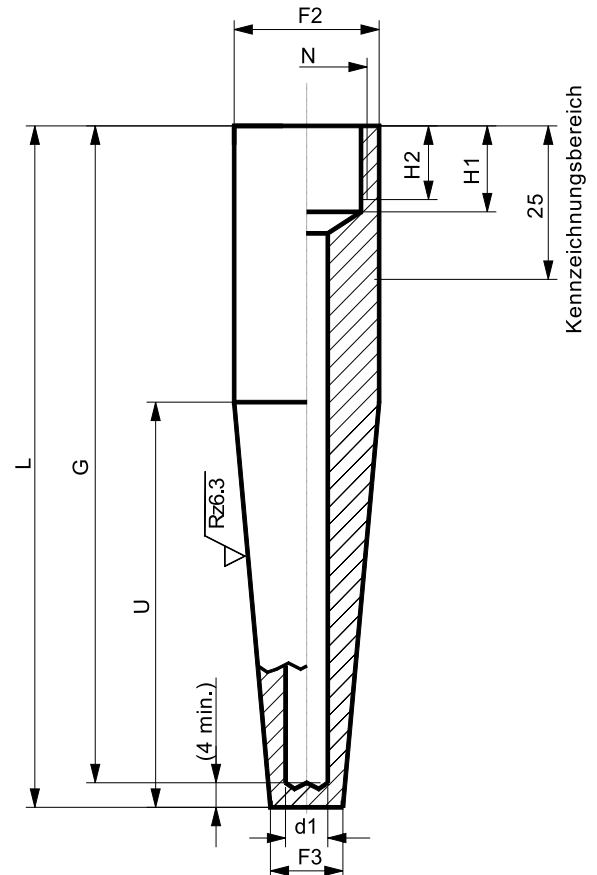
Fixing insertion length for connection types 11 und 12

Typ 11: L1 = G
Typ 12: L1 = G - H1

Connection type



Form 4 acc. to DIN 43772-2



DIN-Protection tubes / weld-In types

solid drilled, with female connection

Datasheet 11.1

Protection tubes

Length type	
ordering code	G
Type 1	1
Type 2	2
Type 3	3
Type 4	4
Type 5	5
Type 6	6
special length	9

Material	
ordering code	H
Steel C 22.8 (1.0460)	1
Stainless steel (1.4571)	2
10CrMo9-10 (1.7380)	3
13CrMo4-4 (1.7335)	4
16Mo3 (1.5415)	5
special material	9

Instrument connection	
ordering code	J
M 14 x 1,5	0
G 1/2"	1
G 3/4"	2
M 18 x 1,5	6
M 20 x 1,5	7
special thread	9

Drilling	
ordering code	K
for sensor 3mm	1
for sensor 6mm	2
for sensor 8mm	3
for sensor 10mm	4
for sensor 12mm	5
special diameter	9

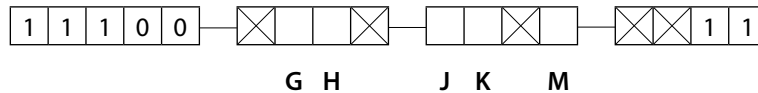
Certificates acc. DIN EN 10204	
ordering code	M
without	0
certificate 2.2	1
certificate 3.1	3
certificate 3.2	4

The certificates 2.2 and 3.1 are also available with a pressure inspection

Ordering-code :

for ordering please fill out all empty digits in the order code on the right.

The code numbers for all free digits you find in the charts above.



For ordering please declare in plain text :

Special material :

Special length:

Special bore:

.....

..... mm

..... mm