

Description :

Screw - in protection tubes form BD and BE according to DIN 16179

- Suitable for thermometers with external thread (our types 11 and 12)
Customized executions are available upon request
- Different materials available - see backpage (also special materials e.g. Hastelloy, Titanium, Nickel etc.)
Form BD only in 1.4571 stainless steel available!

Hint

The standard DIN 16179 is no longer valid and has been replaced by standard DIN 43772. We suggest not to use these thermowells in new plants. Choose suitable types according DIN 43772 instead.



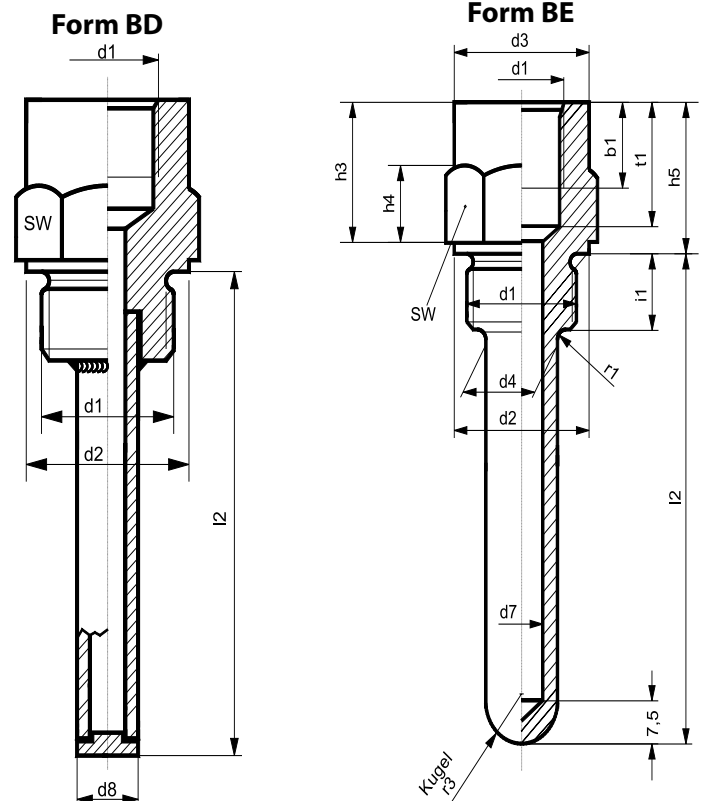
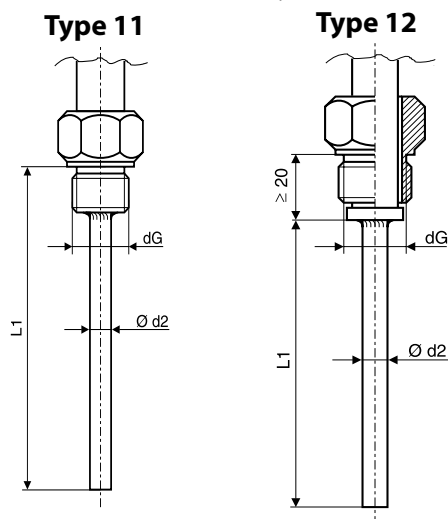
Diameter and connection dimensions

stem Ø	d1	d2	d3	d4	d7	d8	b1	h3	h4	h5	i1	r1	r3	t1	sw
10	M 20 x 1,5	25	27	17	11	13	16	22	12	25	14	1,6	8,5	20	27
	R $\frac{1}{2}$ "	26													
12	M 27 x 2	32	32	22	13	16	20	26	15	29	16	2,5	9,5	24	32

Length dimensions

for stem Ø	suitable for thermometer with L1=		12 (± 1)	
	Type 11	Type 12	Form BD	Form BE
10	100	80	82	87
	160	140	142	147
	250	230	232	237
12	100	80	82	87
	160	140	142	147
	250	230	232	237
	400	360	282	387

Connection types



DIN-Protection tubes / Screw-in types

Datasheet 12.0

solid drilled, with female connections

Protection tubes

Type	
Ordering code	F
Form BD	1
Form BE	2

Material		
Ordering code		H
Steel C 22.8	(1.0460)	1
Stainless steel	(1.4571)	2
10CrMo9-10	(1.7380)	3
13CrMo4-4	(1.7335)	4
16Mo3	(1.5415)	5
Special material		9

Thread	
Ordering code	J
G 1/2"	1
G 3/4"	2
M 20 x 1,5	7
Special thread	9

Form BD only available in 1.4571!

Bore	
Ordering code	K
for Sensor 10mm	4
for Sensor 12mm	5
Special bore	9

Protective coating	
Ordering code	L
Without	0
TempCoat	1
Delta MKS	2
MagnaCoat 1508	3
Magna Coat 3005	4
Special coating	9

Certificate acc. DIN EN 10204	
Ordering code	M
Without	0
Certificate 2.2	1
Certificate 3.1	3
Certificate 3.2	4

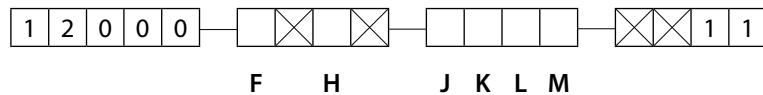
The certificates 2.2 and 3.1 are also available with a pressure inspection

Technical data for protective coating see datasheet 10.11, 10.12 und 10.13

Ordering-code :

for ordering please fill out all empty digits in the order code on the right.

The code numbers for all free digits you find in the charts above.



For ordering please declare in plain text :

Special material :

Special length:

Special bore:

.....

..... mm

..... mm