

# DIN-Protection tubes / screw-in type

solid drilled, with female connection

# Datasheet 12.1

Protection tubes

Screw - in protection tubes Form 5, 6 and 7 according to DIN 43772-2

- Suitable for thermometers with external thread (our types 11 and 12)

Customized executions are available upon request

- Different materials available - see backpage (also special materials e.g. Hastelloy, Titanium, Nickel etc.)
- Form 5 only in 1.4571 stainless steel available



## Diameter and connection dimensions

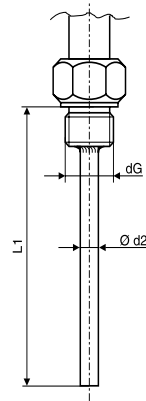
Form	d1"	d2"	E	N	D1	F1	F2	K1	H1	H2	SW	
5 6	7	6	G½"	G½" M 20 x 1,5	26	12		14			27	
	9	8				14						
	11	10										
7	7	6	½" NPT	G½"	--	--	17	~20	19	15	27	
	9	8										
	11	10										
5 6	7	6	G¾"	G¾" M 27 x 2	32	12		19	22	17	32	
	9	8				14						
	11	10				17						
	7	6				12						
	9	8				14						
	11	10				16						
	13	12				18						
14	13	22										
7	7	6	¾" NPT		--		17	~21			27	
	9	8										19
	11	10										22
6	7	6	G1"	G½"	39	--	17	18	19	15	41	
	9	8										20
	11	10										22
7	7	6	1" NPT		--		17	~25			36	
	9	8										20
	11	10										22

## Length dimensions

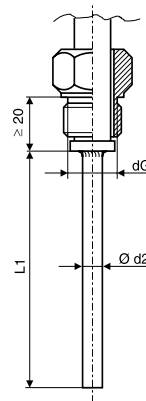
Length type	L (+1 / -1)	U1 (+1 / -1)	G (+1 / 0)
1	110	82	105
3	170	142	165
5	260	232	255
6	410	382	405

## Connection types

Type 11



Type 12

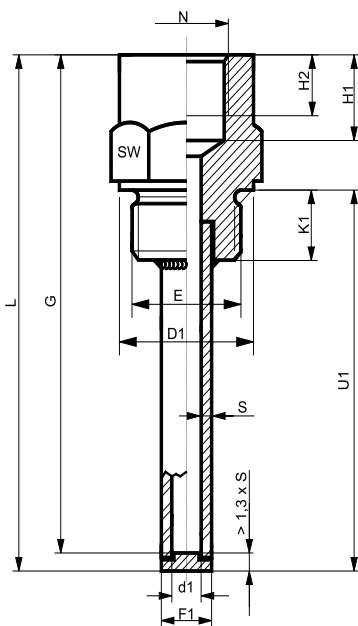


**Fixing of the thermometer insertion length**

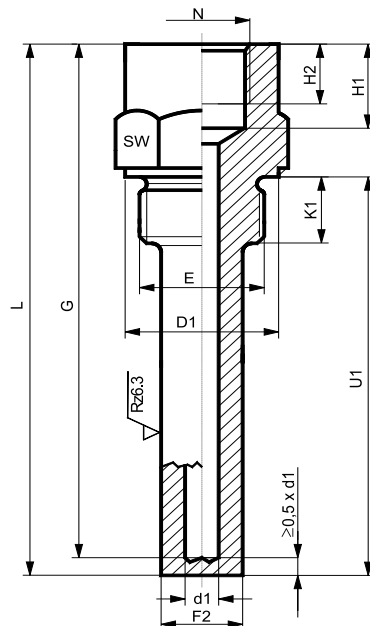
Connection type 11:  
L1 = G

Connection type 12:  
L1 = G - H1

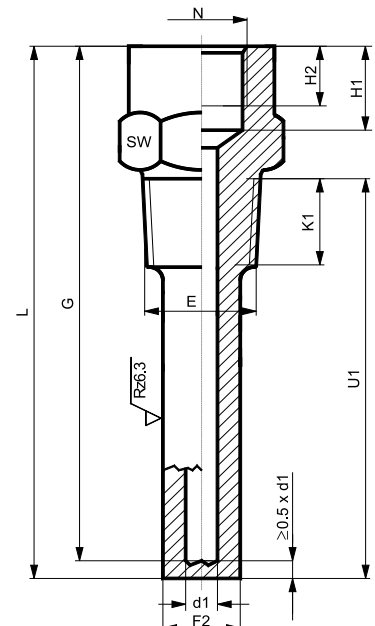
Form 5



Form 6



Form 7



Revision 2.0 - 10/2004

