

DIN-Protection tube / screw-in types

solid drilled and fabricated, with male connection

Datasheet 13.0

Protection tubes

Description :

Screw - in protection tubes type CD or type CE according to DIN 16179

- Suitable for thermometers with female thread (our type 13)

Customized executions are available upon request

- Different materials available - see backpage (also special materials e.g. Hastelloy, Titanium, Nickel etc.)
- Form CD only in 1.4571 stainless steel available

Hint

The standard DIN 16179 is no longer valid and has been replaced by standard DIN 43772. We suggest not to use these thermowells in new plants. Choose suitable types according DIN 43772 instead.



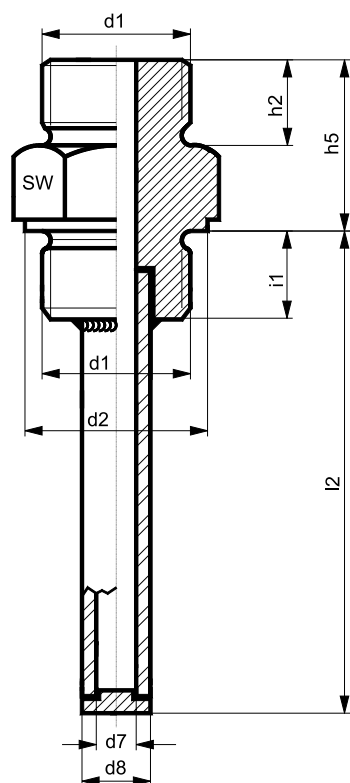
Diameter and connection dimension

for stem Ø	Thread d1	d2	d4	d7	d8	h2	h5	i1	r1	r3	sw
10	M 20 x 1,5	25	17	11	13	12	25	14	1,6	8,5	27
	R½"	26									
	M 27 x 1,5 R¾"	32	22	13	16	14	29	16	2,5	9,5	32
M 27 x 1,5 R¾"	32										

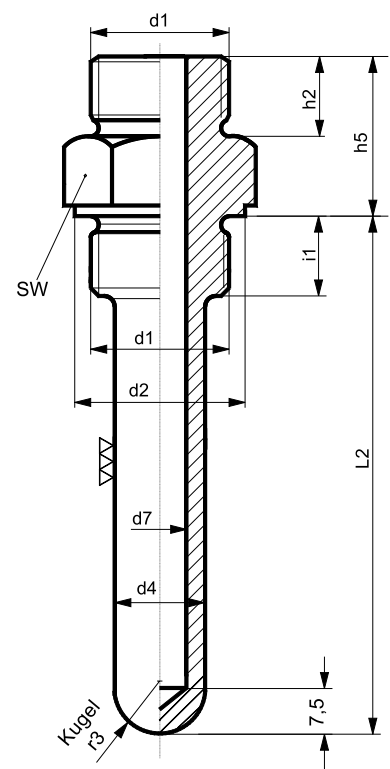
Length dimension

for stem Ø	suitable for thermometer with L1	12 ± 1	
		Form CD	Form CE
10	89	71	63
	93	71	63
	126	108	100
	130	108	100
	186	168	160
12	190	168	160
	280	258	250
	93		63
	130	108	100
	190	168	160
	280	258	250
	430	408	400

Form CD



Form CE



Revision 2.0 - 10/2004

DIN-Protection tube / screw-in types

solid drilled and fabricated, with male connection

Datasheet 13.0

Protection tubes

Type	
Ordering code	F
Type CD	1
Type CE	2

Material		
Ordering code		H
Steel C 22.8	(1.0460)	1
Stainless steel	(1.4571)	2
10CrMo9-10	(1.7380)	3
13CrMo4-4	(1.7335)	4
16Mo3	(1.5415)	5
Special material		9

Instrument connection N	
Ordering code	J
G 1/2"	1
G 3/4"	2
M 20 x 1,5	7
Special thread	9

Form CD only available in 1.4571!

Bore	
Ordering code	K
for Sensor 10mm	4
for Sensor 12mm	5
Special bore	9

Protective coatings	
Ordering code	L
Without	0
TempCoat	1
Magna coat	2
Delta Tone	3
Delta Seal	4
Special coating	9

Certificate acc. DIN EN 10204	
Ordering code	M
Without	0
Certificate 2.2	1
Certificate 3.1	3
Certificate 3.2	4

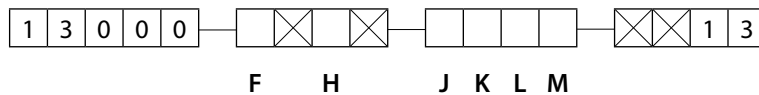
The certificates 2.2 and 3.1 are also available with a pressure inspection

Technical data for protective coating see datasheet 10.11, 10.12 und 10.13

Ordering-code :

for ordering please fill out all empty digits in the order code on the right.

The code numbers for all free digits you find in the charts above.



For ordering please declare in plain text :

Special material :

.....

Special length:

..... mm

Special bore:

..... mm