

## Description :

Screw - in protection tubes type 8 an 9 according to DIN 43772-2

- Suitable for thermometers with female thread (our type 13)

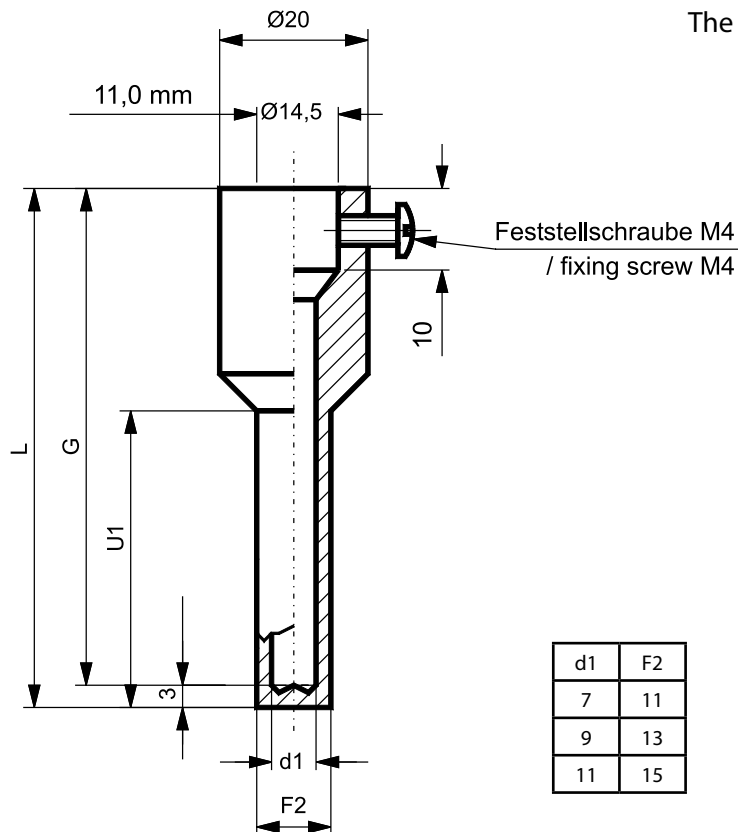
Customized executions are available upon request

- Different materials available - see backpage (also special materials e.g. Hastelloy, Titanium, Nickel etc.)

## Length dimensions:

Customized length dimensions are available on request. The following table with the length types 1 to 4 is just an example for dimensioning.

Length type	L	U1	G
1	45	15	42
2	60	30	57
3	80	50	77
4	110	80	107



The insertion length should be  $L_1 = L - 15\text{mm}$

# Protection tube / weld - in type

for thermometer with plain stem

# Datasheet 14.16

Protection tubes

Length type	
Ordering code	G
Type 1	1
Type 2	2
Type 3	3
Type 4	4
Special length	9

Bore	
Ordering code	K
for Sensor 6mm	2
for Sensor 8mm	3
for Sensor 10mm	4
Special bore	9

Material		
Ordering code		H
Steel C 22.8	(1.0460)	1
Stainless steel	(1.4571)	2
Special material		9

*For special lengths please declare dimension L, G and U1 below in plain text*

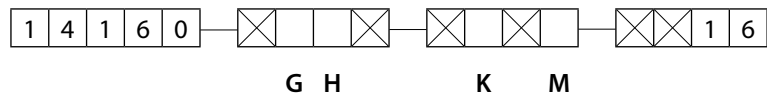
Certificate acc. DIN EN 10204	
Ordering code	M
Without	0
Certificate 2.2	1
Certificate 3.1	3
Certificate 3.2	4

*The certificates 2.2 and 3.1 are also available with a pressure inspection*

### Ordering-code :

for ordering please fill out all empty digits in the order code on the right.

*The code numbers for all free digits you find in the charts above.*



### For ordering please declare in plain text :

Special material :

Length dimension L / G / U1:

Special bore:

.....

..... mm

..... mm