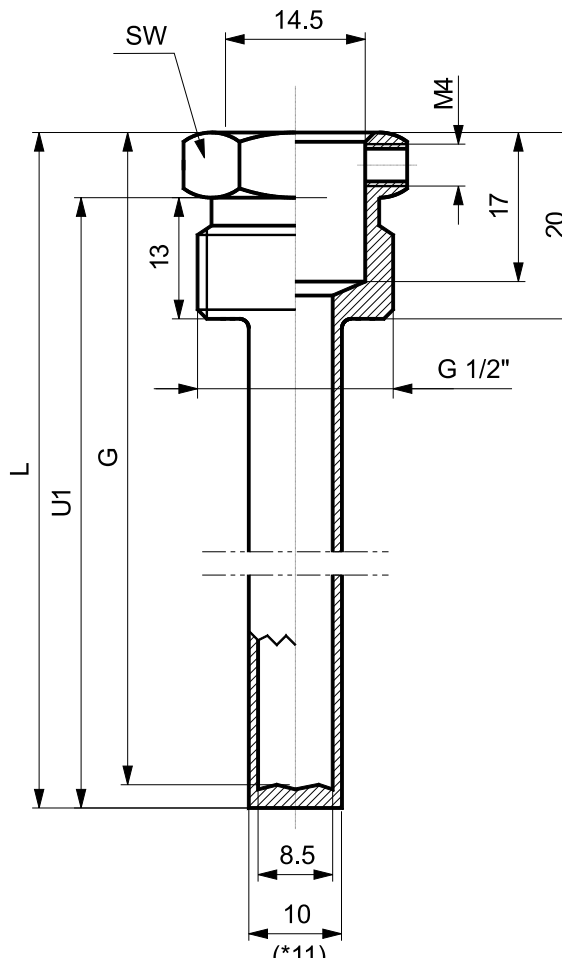
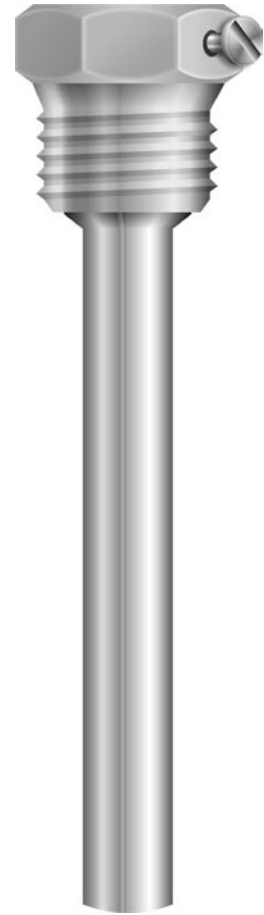


## Description :

Low Cost types for heating systems.

- Instrument connection with side screw fixing.  
Suitable for standard-thermometers with plain stem  
( our Datasheets 20 - 27.10 )



## Available insertion length:

Protection tube			stem	
U1	L	G	L1	LGes
42	50	46	36	45
60	68	64	54	63
100	108	104	94	103

\* Protection tube with U1 = 100mm;  
outside diameter 11mm

## Material:

Brass Ms 58 (with SW = 21mm)

Stainless steel 1.4571 (with SW = 22mm)

The insertion length should be  $L1 = U1 - 6\text{mm}$

# Protection tube / screw - in Types

# Datasheet 15.16

solid drilled, for thermometer with plain thermowell

Protection tubes

Length dimension U1	
Ordering code	FG
42mm	01
60mm	02
100mm	03

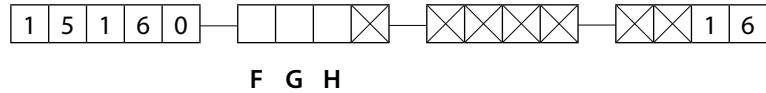
Material		
Ordering code		H
Stainless steel	(1.4571)*	2
Brass	(MS 58)	6

\* Only for length 42 and 60 available

### Ordering-code :

for ordering please fill out all empty digits in the order code on the right.

The code numbers for all free digits you find in the charts above.



### For ordering please declare in plain text :

Special material :

Special length:

Special bore:

.....

..... mm

..... mm