

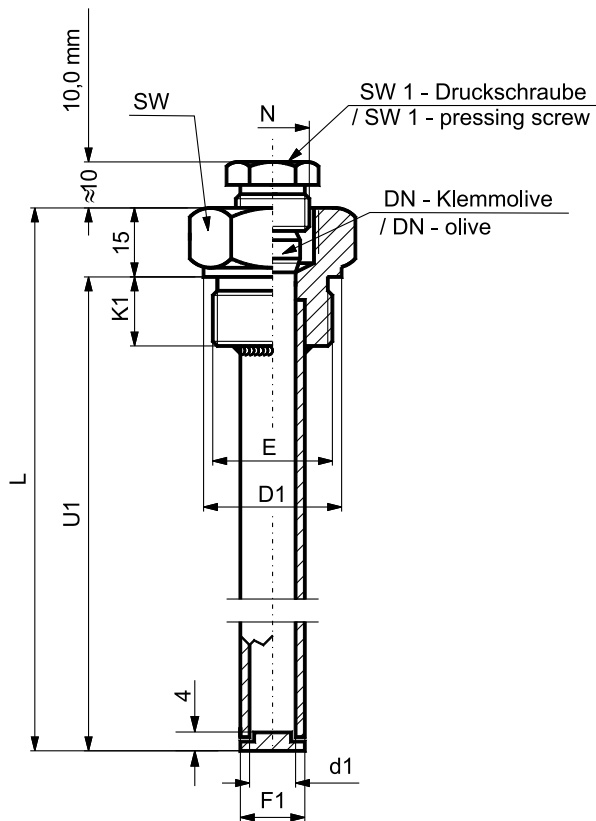
## Description :

Screw - in protection tubes acc. manufacturers standard

- with integrated clamp connection for thermometers with plain stem (our type 10)

Customized executions are available upon request

- Different materials available - see backpage (also special materials e.g. Hastelloy, Titanium, Nickel etc.)



### Length dimensions

The insertion length should be  $L1 = U1 + 30\text{mm}$

### Connection dimensions

Process connection E	D1	SW	K1
G 1/2"	26	27	15
M 20 x 1,5			
G 3/4"	31	32	
M 27 x 2			
G 1"	40	41	17

### Diameters

DN	d1	F1	SW1	N	suitable for
3"	4	6	13	G 1/4"	<div style="display: flex; align-items: center; justify-content: center;"> <div style="border: 1px solid black; padding: 2px;"> </div> <div style="border: 1px solid black; padding: 2px; margin-left: 5px;">                     dial thermometer                 </div> <div style="border: 1px solid black; padding: 2px; margin-left: 5px;">                     Sensors                 </div> </div>
6	7	9			
8	9	11	17	G 3/8"	
10	11	13			
12	13	15			

\* olive made of teflon

# Protection tube / screw - in types

# Datasheet 16.10

fabricated, for thermometer with plain stem

Protection tubes

Material	
Ordering code	H
Stainless steel (1.4571)	2
Special material	9

Process connection	
Ordering code	J
G 1/2"	1
G 3/4"	2
G 1"	3
M 20 x 1,5	7
Special thread	9

Bore	
Ordering code	K
for Sensor 3mm	1
for Sensor 6mm	2
for Sensor 8mm	3
for Sensor 10mm	4
for Sensor 12mm	5
Special bore	9

Protective coatings	
Ordering code	L
Without	0
TempCoat	1
Delta MKS	2
MagnaCoat	3
Special coating	9

Certificate acc. DIN EN 10204	
Ordering code	M
Without	0
Certificate 2.2	1
Certificate 3.1	3
Certificate 3.2	4

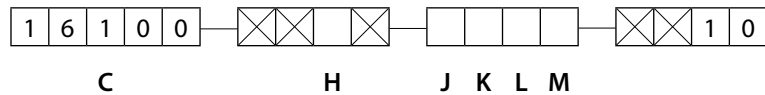
Technical data for protective coating see datasheet 10.11, 10.12 und 10.13

The certificates 2.2 and 3.1 are also available with a pressure inspection

### Ordering-code :

for ordering please fill out all empty digits in the order code on the right.

The code numbers for all free digits you find in the charts above.



### For ordering please declare in plain text :

Special material :

.....

Special length:

..... mm

Special bore:

..... mm