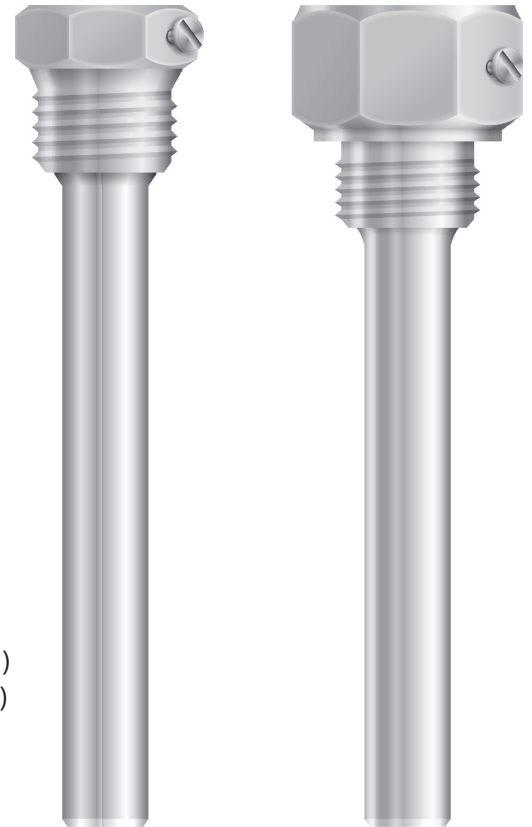


## Description :

Screw - in protection tubes acc. manufacturers standard

- with fixing screw for thermometers with plain stem (our type 10)

Customized executions are available upon request



## Length dimension for type16

$L_{0}^{+2}$	$U1_{0}^{+2}$	$G_{0}^{+1}$	Length type
152	140	148	1
162	150	158	2
172	160	168	3
212	200	208	4
262	250	258	5
312	300	308	6

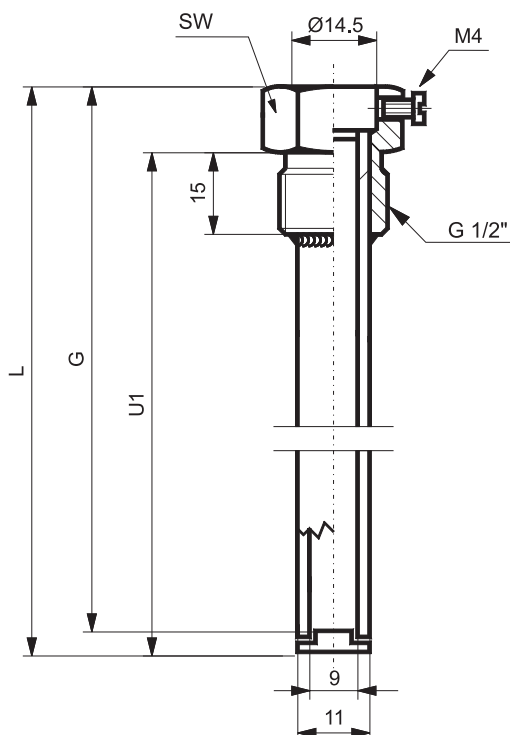
## Material for type 16S

Brass Ms 58 (SW = 21)  
Stainless steel 1.4571 (SW = 22)

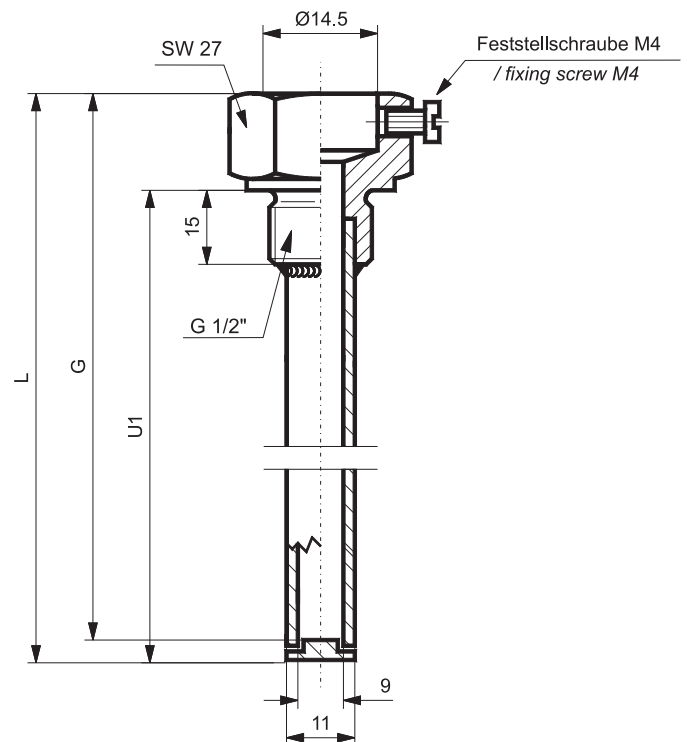
## Material for type 16

Stainless steel 1.4571 (SW = 27)

### Type 16S



### Type 16



# Protection type / screw - in types

# Datasheet 16.16

fabricated, for thermometer with plain stem

Protection tubes

Execution	
Ordering code	F
Typ 16S	1
Typ 16	2

The length-types are according to the Pförtner standard thermometer.

Length type	
Ordering code	G
Type 1	1
Type 2	2
Type 3	3
Type 4	4
Type 5	5
Type 6	6
Special length	9

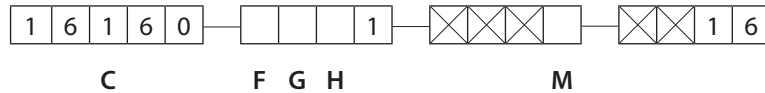
Material		
Ordering code		H
Stainless steel	(1.4571)	2
Brass	(MS 58)	6

Certificate acc. DIN EN 10204	
Ordering code	M
Without	0
Certificate 2.2	2

### Ordering-code :

for ordering please fill out all empty digits in the order code on the right.

The code numbers for all free digits you find in the charts above.



### For ordering please declare in plain text :

Special material :

.....

Special length:

..... mm

Special bore:

..... mm